

dynafor™ Expert

Installation, operating and maintenance manual	English Original manual	GB
Εγχειρίδιο εγκατάστασης, χρήσης και συντήρησης	Ελληνικά Μετάφραση του πρωτότυπου εγχειριδίου	GR
Stallasjons-, bruks- og vedlikeholdshåndbok	Norsk Oversettelse av originalanvisning	NO
Installations-, bruks- och underhållsanvisning	Svenska Översättning av originalbruksanvisningen	SE
Asennus-, käyttö- ja huoltokäsikirja	Suomi Alkuperäisen ohjeen käännös	FI
Manual for installation, brug og vedligeholdelse	Dansk Oversættelse af den originale manual	DA
Instrukcja instalacji, użytkowania i konserwacji	Polski Tłumaczenie oryginalnej instrukcji obsługi	PL
Руководство по установке, использованию и техническому обслуживанию	Русский Перевод инструкции изготовителя	RU

GB
Expert series electronic dynamometer
GR
Ηλεκτρονικό δυναμόμετρο σειράς Expert
NO
Elektronisk dynamometer fra Expert-serien
SE
Elektronisk dynamometer i Expert-serien
FI
Expert-sarjan sähköinen dynamometri
DA
Elektronisk dynamometer fra Expert-serien
PL
Elektroniczny dynamometr serii Expert
RU
Электронный динамометр серии Expert

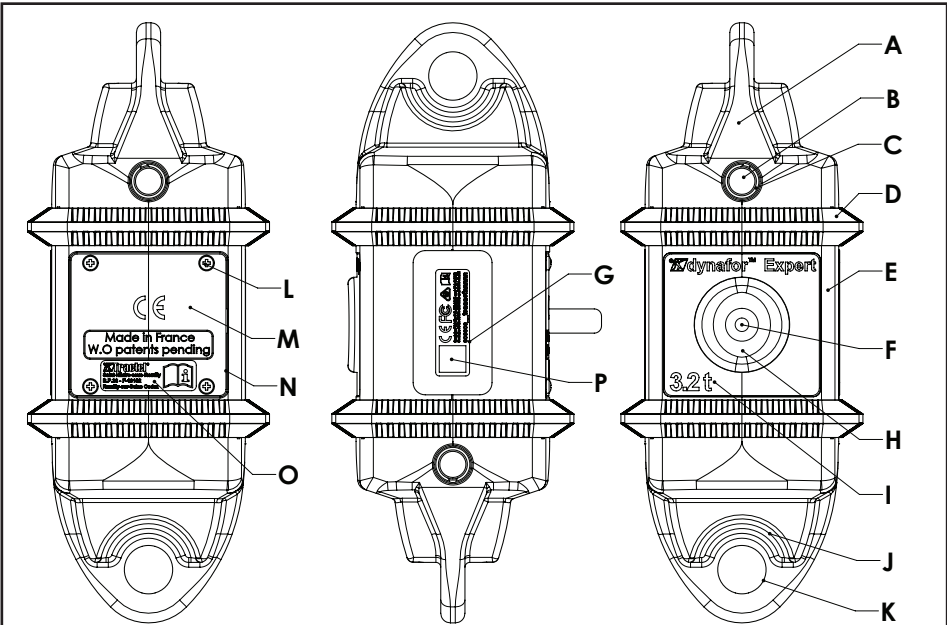



Fig. 1

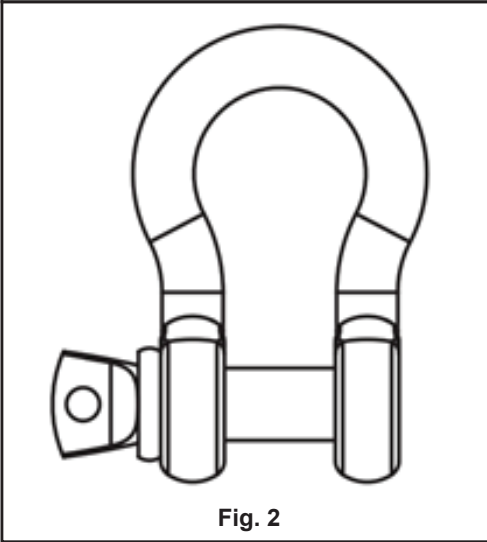


Fig. 2

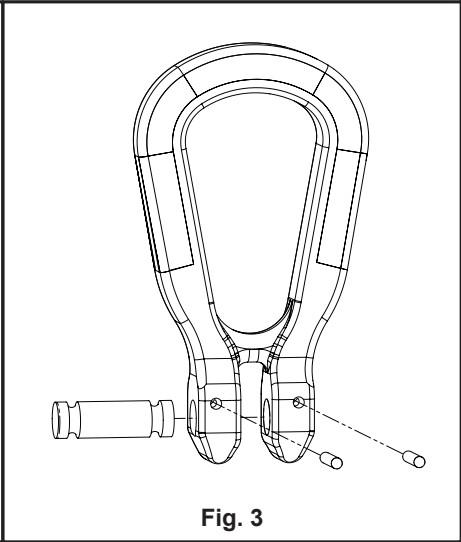


Fig. 3



Fig. 4

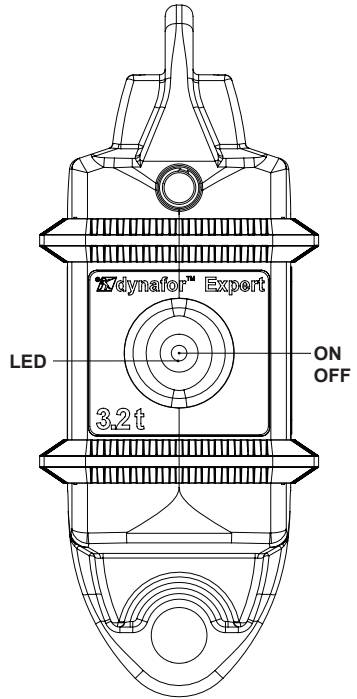


Fig. 5

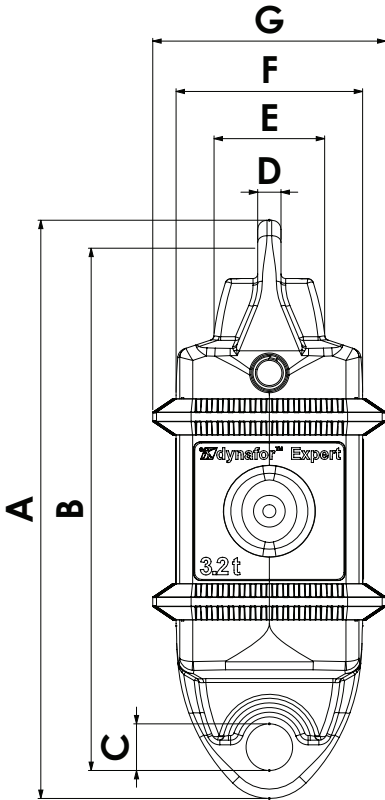


Fig. 6

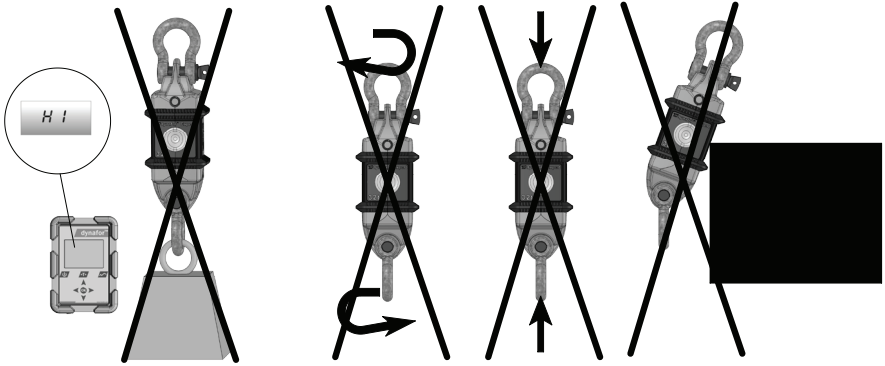


Fig. 7

Contents

1. Priority instructions	5
2. Definitions and pictograms	6
2.1. Definitions	6
2.2. Pictograms	6
3. Description and markings	6
3.1. Presentation	6
3.2. Operating principle	7
3.3. Markings	7
4. Associated equipment	7
5. Uses	7
5.1. Installing the batteries	8
5.2. Installation	8
5.3. Starting up the sensor	8
5.4. Functions	8
5.4.1. Operation in basic configuration	8
5.4.2. Automatic zeroing	8
5.4.3. Information provided by the sensor LED	8
5.4.4. Operation in multiple and extended configuration	8
5.5. Turning the product off	9
5.6. Deinstallation	9
6. Prohibited uses	9
7. Maintenance and periodic verification	9
7.1. Battery replacement	9
7.2. Other verifications	9
8. Transport and storage	9
9. Product disposal and environmental protection	9
10. Technical specifications	10
11. Regulations and standards	11
12. Troubleshooting	11
13. Declaration of conformity	11

1. Priority instructions

- Before installing and using this product, it is essential that you read these instructions and comply with its instructions for safe and effective use. A copy of these instructions must be made available to all operators. Additional copies can be obtained upon request from Tractel®.
- Do not use this product if any of the labels affixed to it or any of its accessories, or any of the markings on it as shown at the end of this manual are no longer present or legible. Identical labels can be obtained upon request from Tractel® and must be affixed before continuing to use this product.
- Make sure that any user of this product is familiar with its operation and capable of applying the safety requirements for the task to be performed. These instructions must be made available to these users. Protect your equipment from uncontrolled intervention.
- This product must be installed and put into operation in conditions that ensure the safety of the installer in accordance with applicable local regulations.
- Every time you use the product, first inspect its condition and that of any accessories. Never use a product that does not appear to be in good condition.
- Return the product to the manufacturer for servicing if there are any visible or operating problems unrelated to the battery condition.
- Protect the product from impacts.
- This product may never be used for operations other than those described in these instructions. It may never be used for loads above the safe working load indicated on the product. It may never be used in an explosive atmosphere.
- Before this product is used in a man-riding system, the supervisor must first verify the application of the coefficients of use required for the safety of personnel, and generally compliance with the safety regulations applicable to the load line in which it is used.
- Tractel® shall not be liable for the operation of this product in an assembly configuration not described in these instructions.
- Any modification of this product without the approval of Tractel® or any removal of any component part shall release Tractel® from any liability.
- Any disassembly of this product not described in this device or any repair work not approved by Tractel® shall release Tractel® from any liability, especially if original parts are replaced by parts from another source.
- A dynafor™ dynamometer is a lifting accessory and the safety regulations applicable to that category of equipment must be applied.

14. When the product is finally withdrawn from service, it must be scrapped in such a way that it cannot be used again. Comply with environmental protection regulations.
15. This product is approved according to European regulations and the standards specified in the section "11. Regulations and standards", and must be verified for compliance with the regulations of any other country in which it may be used, prior to commissioning and use. Comply with such regulations.
16. Any use of this product with additional equipment that relays its signals to an operating system must be preceded by a risk analysis specific to the operating functions used and all appropriate measures must be taken accordingly.

2. Definitions and pictograms

2.1. Definitions

In this manual, the following terms have the meaning given below:

"Product": Item or equipment described in this manual and delivered complete in the standard version, or in its various existing models.

"Installation": All the operations required to bring the complete product from the state in which it was delivered into a state of commissioning (or connection to other elements for commissioning).

"Supervisor": Individual or party responsible for the management and safe use of the product described in the manual.

"Technician": Qualified person familiar with the product, in charge of the maintenance operations described and permitted in the manual.

"Operator": Individual using the product in accordance with the instructions in this manual.

"MR": Measurement Range (full scale).

"SWL": Safe Working Load.

2.2. Pictograms



"DANGER": When placed at the beginning of a paragraph, it indicates instructions for preventing injuries ranging from minor to fatal and also environmental damage.



"IMPORTANT": When placed at the beginning of a paragraph, it indicates instructions for preventing

product failure or damage which would not directly endanger the life or health of operators or other individuals and/or which may harm the environment.



NB: When placed at the beginning of a paragraph, it indicates the necessary precautions to apply for efficient and ergonomic installation, use and maintenance.



: When placed on the product itself or a product component, it indicates the need to read the operating and maintenance manual.

3. Description and markings

3.1. Presentation

Dynafor™ Expert are precision force sensors (0.1% MR) for measuring forces and indicating loads. The capacity range is from 0.5 t to 10 t.

The material is delivered with its batteries in a case* containing:

- The dynafor™ Expert.
- Its installation, operating and maintenance manual.
- Its adjustment certificate.
- Its CE declaration of conformity.

Adjustment certificate

This document is valid for one year and certifies that the sensor has been adjusted using an internal Tractel® procedure on a calibration bench with a standard sensor connected to the international standard.

Option: Calibration certificate ISO 376

On request, the sensor can be delivered with an ISO 376 calibration certificate.

This document, which is valid for up to 26 months, certifies that the product has been calibrated in accordance with ISO 376, on a calibration bench whose standard sensor is connected to the international standard.

The special patented shape of the fastening heads allows conventional shackles or standardised chain accessories to be used.

The technologies implemented at the levels of radio and software offer, in addition to the traditional uses expected of a dynamometer, multiple configuration possibilities that combine several sensors. They also provide access to advanced functions such as recording, threshold management and monitoring.

The option of a PC link via a USB port opens the door to data management and archiving.

The different possible combinations are described in chapter 4. Associated equipment.

3.2. Operating principle

The operating principle of dynafor™ Expert is based on the measurement using strain gauges of the elongation, within the elastic limit, of a metal body subjstressed to tensile.

The product operates in all directions.

3.3. Markings

See figure 1.

A	Fastening head
B	Coupling pin
C	B pin retention clips
D	Protector
E	Cover
F	On/Off (Start/Stop) button
G	Serial number
H	Operation indicator
I	Maximum sensor capacity
J	Shackle centering piece
K	Fastening ring
L	Cover fixing screw M
M	Battery compartment cover
N	Battery compartment (3 x "AA")
O	Manufacturer
P	QR code directing to the tracinfo platform containing manual, adjustment certificate and data sheet

4. Associated equipment

The product is compatible with the following equipment:

Lifting accessories:

- Bow shackle
- Clevis shackle
- Clevis hook

Dynafor™	Bow shackle	Clevis shackle	Clevis hook
Expert 0.5t	47916	111407	111437
Expert 1t	47916	111407	111437
Expert 2t	47916	111407	111437
Expert 3.2t	47916	111407	111437
Expert 5t	47926	111417	111447
Expert 6.3t	47926	111417	111447
Expert 10t	47936	112207	112217

GB

For details of lifting accessories, please refer to the technical sheet, illustration of bow shackles in figure 2, clevis shackles in figure 3 and clevis hooks in figure 4.

Lifting accessories not recommended by Tractel® must be correctly dimensioned according to the local regulations in force.

Display devices:

- The dynafor™ HHD remote display unit offers multiple functionalities including the reading and management of 4 sensors up to a distance of 400 m in open air. Codes: 293609 when purchased simultaneously with a dynafor™ Expert or Pro sensor
Code: 293449 when purchased separately
- AL128 large display unit for high visibility, 128 mm high digits with wireless communication up to 200 m in open air.
Code: 293489

Threshold safety management module:

- dynafor™ monitoring unit (DMU) offering the same functionalities as the dynafor™ HHD remote display unit and allowing up to 5 relays to be controlled.
Code: 293479

Software:

- Loader software for downloading the data recorded on the dynafor™ HHD remote display unit to a computer.
Code: 293509
- Monitoring software allows load values to be displayed, recorded and analysed live for up to 8 sensors. Requires the dynafor™ HHD remote display unit.
Code: 68968
- dynafor™ app for displaying the load value of a sensor from a smartphone or tablet via Bluetooth up to 30 m in open air. Available on iOS and Android.

5. Uses



The supervisor must ensure that a technician is tasked with installing the product. The supervisor must

ensure that the operator has reviewed this installation, operation and maintenance manual before they use the product.

GB

5.1. Installing the batteries

The three 1.5 V "AA" batteries are factory installed.

Remove the insulating tab protruding from the battery compartment to activate the batteries. For subsequent battery replacement, please refer to section 7.1. Battery replacement.

5.2. Installation

During installation, it is absolutely necessary to:

1. Make sure that the load line anchor point or points are sufficiently strong for the force that will be applied.
2. Make sure that the lifting accessories at both ends of the product are compatible and comply with applicable local regulations.
3. Correctly lock the shackles by screwing their pin in fully. Correctly lock the pear shackles by checking the pins fit properly. Lock the clevis hook pin correctly with its safety pin. Make sure that the hook safety catch is present and in good working order.
4. Allow the product to line up freely in the line of force.
5. Check the presence and condition of the batteries in the sensor.
6. Connect the product to the remote display unit or to a smartphone via the Tractel app and to other compatible display devices defined in paragraph 4. Associated equipment.
7. Make sure there is a good radio link between the sensor and the display box.

Use the product only with tensile force.

The product may be used in all directions, including horizontally.

The product works satisfactorily in a temperature range of -20°C to +50°C. For use beyond those temperatures, the product must have thermal protection.

5.3. Starting up the sensor

Always switch on the sensor before switching on the remote display unit, otherwise the remote display unit will not be able to establish the radio link.

A light impulse on the start/stop button located in the centre of the membrane activates the ON/OFF switch. (See figure 5, item F.)

When the power is turned on, the two red LEDs start to flash simultaneously.

5.4. Functions

5.4.1. Operation in basic configuration

Basic configuration consists in using a set made up of a single sensor and a

single remote display unit, and/or a single sensor and a smartphone equipped with the dynafor™ App. This set measures and displays the force at the sensor.

5.4.2. Automatic zeroing


When the dynafor™ Expert is switched on, the associated display unit will show "0" providing the measured force is less than 10% of the SWL of the product.

5.4.3. Information provided by the sensor LED

Sensor operation MODE	Sensor LED flashing	Measurements per seconds	Battery life
Stop	Off	-	-
Standard	1 flash per second	4 per second	300 h
Economy*	1 flash every 4 seconds	1 every 4 seconds	1,000 h
Sleep	1 flash every 8 seconds	-	3,000 h
Peak load	2 flashes per second	32 per second	100 h
Batteries low.	Identical to separate modes, but one LED at the same time		-

*The factory default setting is to switch automatically to economy mode if there is no load variation (10% of SWL) for 5 minutes. This economy mode is adjustable. See the dynafor™ HHD remote display unit manual.

5.4.4. Operation in multiple and extended configuration

 **NB:** For further details, please refer to the associated equipment manuals defined in chapter 4. Associated equipment.

The multiple configuration consists in connecting up to four sensors and one or more display devices. The sensors can have different capacities. (For more than four sensors, the PC connection option is required.)

For some applications, it is useful to display the measurements from several sensors on a single dynafor™ HHD remote display unit.

Example: Lifting a load with a spreader bar suspended from two winches, each equipped with a sensor. The grouping together of the two force measurements on a single dynafor™ HHD remote display unit allows the operator to view the two forces and their total value and

to check that the load is correctly distributed between the two winches.

Contact Tractel® for any further information on multiple configurations

5.5. Turning the product off

To turn the product off, press and hold the Start/Stop button for 2 seconds without pressing too hard.

If there is no load variation, the product will go on sleep automatically after 20 minutes. This automatic sleep preserves the sensor batteries.

The sensor switches back on automatically when a display device is reconnected.

This automatic sleep can be adjusted. See the dynafor™ HHD remote display unit manual.

5.6. Deinstallation

When deinstalling the product, make sure that all tensile forces have been removed beforehand.

Clean the product and store it according to the sections 7.2. Other verifications and 8. Transport and storage

6. Prohibited uses

See figure 7.

THE FOLLOWING ARE FORBIDDEN:

- Using the product in a man-riding system without first carrying out a specific risk analysis.
- Modifying the product.
- Using the product beyond its SWL with static or dynamic forces.
- Arc welding with the product in the ground circuit.
- Exposing the product to any electric and/or electromagnetic shock.
- Disassembling or opening the product.
- Using the product for operations other than those described in this manual.
- Using the product if there is a risk that it may be subjected to compressive, bending or torsional loads.
- Preventing the product being aligned in the line of force.
- Using the product in a highly corrosive environment.
- Using the product in an explosive environment.
- Using the product outside the temperature range of -20°C to 50°C.
- Using the product if it has been subjected to a force above 110% of its SWL.

- Using the product if it does not appear to be in good condition.
- Using the product if the markings are missing or illegible.
- Using the product with stainless steel accessories.

7. Maintenance and periodic verification

7.1. Battery replacement

The LEDs in the centre of the sensor's Start/Stop button flash one after the other when the batteries are emptied.

A warning message is also displayed on the remote display unit. They need to be replaced.

- Using a Philips screwdriver, remove the battery compartment cover.
- Replace the three "AA" 1.5 V batteries with new ones, minding the polarities.
- Put back the battery compartment cover and tighten the fixing screws so that the cover is flush with the edge of the battery compartment.

7.2. Other verifications

Tractel® recommends periodically inspecting the visual condition of the product and cleaning the sensor regularly with a dry cloth.

Tractel® also recommends annual recalibration (for adjustment see section 3.1. Presentation) before the valid certificate expires.

Tractel® can provide these services on request.

8. Transport and storage

During storage and/or transport, the product must be:

- Packed in its original packaging with the batteries removed
- Stored in a dry location
- Stored at a temperature between -20°C and 60°C
- Protected from chemical, mechanical or any other type of attack.

9. Product disposal and environmental protection

The product must be disposed of in accordance with the regulations applicable in the country of use.

The product complies with the requirements of the REACH regulation and the RoHS directive; it is not covered by the WEEE directive.

The different product components must be recycled on the basis of the table below, after separating metal and synthetic materials. These materials must be recycled by specialist organisations.

At the time of disposal, only trained individuals may dismantle the product to separate its components.

Component	To be treated as a waste of the type
Product body	Aluminium and cast iron
Electronic housing (plastic)	Ordinary waste
Printed circuit board and display	Electronics
Batteries	Accumulator

10. Technical specifications

Features of the dynafor™ Expert range

Model	Unit	Expert 0.5	Expert 1	Expert 2	Expert 3.2	Expert 5	Expert 6.3	Expert 10
SWL	t	0.5	1	2	3.2	5	6.3	10
Safety coefficient		>4						
Accuracy	+/- %	0.1 % EM à 21 °C						
	+/- kg	0.5	1	2	3.2	5	6.3	10
Resolution	kg	0.1	0.2	0.5	0.5	1	1	2
Measurement frequency	Hz	4 Hz – 32 Hz en mode peak load – 1 Hz en mode économique						
Max. display	%	110% de la SWL						
Battery life	h	300 à 1000						
RF (radio frequency) technology		2.4 GHz – 2.4835 GHz owner, range up to 400 m in open air						
RF radio power output	dBm	9.5						
Bluetooth technology		BLE 4.0 (2.4 GHz – 2.4835 GHz), range up to 30 m in open air						
BLE radio power output	dBm	7.71						
Weight	kg	2.3	2.3	2.3	2.3	3.35	3.35	6.45
IP rating		IP 64 (IP 67 as option)						
Operating temperature	°C	-20 °C à +50 °C						
Sensor material		Aluminium						Steel
Material of heads		Steel						
Batteries		3x AA						
Dimensions (see figure 6)								
A	mm	248	248	248	248	290	290	341
B		224	224	224	224	254	254	296
C		Ø20	Ø20	Ø20	Ø20	Ø28	Ø28	Ø40
D		10	10	10	10	16	16	20
E		24	24	24	24	35	35	54
F		80	80	80	80	80	80	80
G		100	100	100	100	100	100	100

11. Regulations and standards

The product described in this manual complies with the following:

European standards

Machinery Directive 2006/42/EC
RED Directive: 2014/53/UE

Reference of radio standards
EN300440 V2.1.1
EN300328 V2.2.2
ETSI 203367 V1.1.0

Reference of health standards
EN62479 (2010)

Reference of EMC standards
EN61326-1 (2013)
EN301 489- 1 & 17

Reference of electrical safety standards
IEC/EN61010-1 (Amd 1 ed. 3)

International standards

IEC 61326-1 ed. 2: 2012
IEC 61311: 2007

American and Canadian standards

Reference of radio standards
FCC section 15
RSS-GEN & RSS-210

Reference of EMC standards
FCC section 15
ICES-003

NB: This equipment has been tested and deemed to comply with the limits for a class A digital device, pursuant to section 15 of the FCC regulations. These limits are designed to provide reasonable protection against harmful interference when the equipment is used in a commercial environment. This equipment generates, uses and can emit radio waves, and if not installed and used in accordance with the instruction manual, may cause harmful interference to radio communications. Operating this equipment in a residential area is likely to cause harmful interference, in which case the user must eliminate the interference at his or her own expense.

NB: This product complies with Industry Canada's RSS applicable to licence-exempt radio apparatus. The equipment may be operated under the following two conditions: (1) it must not cause any interference, and (2) the user of the device must be prepared to accept any radio interference received, even if such interference is likely to affect the operation of the device.

In accordance with Industry Canada regulations, this radio transmitter may be operated with an antenna of a type and maximum gain (or less) approved for the transmitter by Industry Canada.

To reduce the risk of radio interference for other users, the type of antenna and its gain should be chosen so that the equivalent isotropic radiated power (e.i.r.p.) does not exceed the intensity required to establish satisfactory communication.

GB

12. Troubleshooting

Problems	Possible causes	Remedies
The sensor does not turn on	Batteries empty.	Replace the batteries.
	Defective electronics.	Contact Tractel®
Sensor LED flashing at 4 Hz (4 times a second)	No communication between the sensor and its printed circuit board.	Contact Tractel®

For any other issues related to the remote display unit, see the manual.

13. Declaration of conformity

Copy of the declaration of conformity in the appendix

Περιεχόμενα

1. Οδηγίες προτεραιότητας.....	12
2. Ορισμοί και εικονογράμματα.....	13
2.1. Ορισμοί.....	13
2.2. Εικονογράμματα.....	13
3. Περιγραφή και σημάνσεις.....	13
3.1. Παρουσίαση.....	13
3.2. Λειτουργική αρχή.....	14
3.3. Σημάνσεις.....	14
4. Συναφής εξοπλισμός.....	14
5. Χρήσεις.....	15
5.1. Τοποθέτηση των μπαταριών.....	15
5.2. Εγκατάσταση.....	15
5.3. Εκκίνηση του αισθητήρα.....	15
5.4. Λειτουργίες.....	15
5.4.1. Λειτουργία στη βασική διαμόρφωση.....	15
5.4.2. Αυτόματος μηδενισμός.....	16
5.4.3. Πληροφορίες που παρέχει το ενδεικτικό LED του αισθητήρα.....	16
5.4.4. Λειτουργία σε πολλαπλή και εκτεταμένη διαμόρφωση.....	16
5.5. Απενεργοποίηση του προϊόντος.....	16
5.6. Απεγκατάσταση.....	16
6. Αντενδείξεις χρήσης.....	16
7. Συντήρηση και περιοδική επαλήθευση.....	17
7.1. Αντικατάσταση μπαταρίας.....	17
7.2. Άλλες επαληθεύσεις.....	17
8. Αποθήκευση και συντήρηση.....	17
9. Διάθεση προϊόντων και προστασία του περιβάλλοντος.....	17
10. Τεχνικές προδιαγραφές.....	18
11. Κανονισμοί και πρότυπα.....	18
12. Αντιμετώπιση προβλημάτων.....	19
13. Δήλωση συμμόρφωσης.....	19

1. Οδηγίες προτεραιότητας

1. Πριν από την εγκατάσταση και τη χρήση αυτού του προϊόντος, είναι σημαντικό να διαβάσετε τις παρούσες οδηγίες και να συμμορφωθείτε μαζί τους για ασφαλή και αποτελεσματική χρήση. Αντίγραφο αυτών των οδηγιών χρήσης πρέπει να είναι διαθέσιμο σε όλους τους χειριστές. Επιπλέον αντίγραφα μπορούν να ληφθούν κατόπιν αιτήματος προς την Tractel®.
2. Μην χρησιμοποιείτε αυτό το προϊόν εάν τυχόν κάποια από τις επικέτες που είναι τοποθετημένες σε αυτό ή σε οποιοδήποτε από τα εξαρτήματά του ή οποιαδήποτε από τις σημάνσεις που εμφανίζονται στο τέλος αυτού του εγχειριδίου δεν υπάρχει πλέον ή δεν είναι ευανάγνωστη. Πανομοιότητες επικέτες μπορούν να παραληφθούν κατόπιν αιτήματος προς την Tractel® και πρέπει να τοποθετούνται πριν συνεχίσετε να χρησιμοποιείτε αυτό το προϊόν.
3. Βεβαιωθείτε ότι οποιοσδήποτε χρήστης αυτού του προϊόντος είναι εξοικειωμένος με τη λειτουργία του και ικανός να εφαρμόζει τις απαιτήσεις ασφαλείας για την εργασία που θα εκτελεστεί. Οι οδηγίες αυτές πρέπει να είναι διαθέσιμες σε αυτούς τους χρήστες. Προστατέψτε τον εξοπλισμό σας από ανεξέλεγκτη επέμβαση.
4. Αυτό το προϊόν πρέπει να εγκατασταθεί και να τεθεί σε λειτουργία υπό συνθήκες που διασφαλίζουν την ασφάλεια του εγκαταστάτη σύμφωνα με τους ισχύοντες τοπικούς κανονισμούς.
5. Κάθε φορά που χρησιμοποιείτε το προϊόν, ελέγχετε πρώτα την κατάστασή του και εκείνης των εξαρτημάτων του. Μην χρησιμοποιείτε ποτέ ένα προϊόν που δεν φαίνεται να είναι σε καλή κατάσταση.
6. Επιστρέψτε το προϊόν στον κατασκευαστή για σέρβις εάν υπάρχουν ορατά ή λειτουργικά προβλήματα που δεν σχετίζονται με την κατάσταση της μπαταρίας.
7. Προστατέψτε το προϊόν από κρούσεις.
8. Αυτό το προϊόν δεν μπορεί ποτέ να χρησιμοποιηθεί για λειτουργίες διαφορετικές από αυτές που περιγράφονται σε αυτές τις οδηγίες. Δεν μπορεί ποτέ να χρησιμοποιηθεί για φορτία που υπερβαίνουν το ασφαλές φορτίο εργασίας που αναφέρεται στο προϊόν. Δεν μπορεί ποτέ να χρησιμοποιηθεί σε εκρηκτική ατμόσφαιρα.
9. Προτού χρησιμοποιηθεί αυτό το προϊόν σε αναβατήρα μεταφοράς προσωπικού, ο επόπτης πρέπει πρώτα να επαληθεύσει την εφαρμογή των συντελεστών χρήσης που απαιτούνται για την ασφάλεια του προσωπικού και γενικά τη συμμόρφωση με τους κανονισμούς ασφαλείας που ισχύουν για τη γραμμή φόρτωσης στην οποία χρησιμοποιείται.

10. Η Tractel® δεν φέρει καμία ευθύνη για τη λειτουργία αυτού του προϊόντος σε διαμόρφωση συναρμολόγησης που δεν περιγράφεται στις παρούσες οδηγίες.
11. Οποιαδήποτε τροποποίηση αυτού του προϊόντος χωρίς την έγκριση της Tractel® ή οποιαδήποτε αφαίρεση οποιουδήποτε εξαρτήματος θα αποδεδμεύσει την Tractel® από οποιαδήποτε ευθύνη.
12. Οποιαδήποτε αποσυναρμολόγηση αυτού του προϊόντος που δεν περιγράφεται σε αυτό το εγχειρίδιο ή οποιαδήποτε εργασία επισκευής που δεν έχει εγκριθεί από την Tractel® θα αποδεδμεύσει την Tractel® από οποιαδήποτε ευθύνη, ειδικά εάν τα γνήσια ανταλλακτικά αντικαθίστανται με ανταλλακτικά από άλλη πηγή.
13. Ένα δυναμόμετρο dynafor™ είναι ένα εξάρτημα ανύψωσης και πρέπει να εφαρμόζονται οι κανονισμοί ασφαλείας που ισχύουν για αυτήν την κατηγορία εξοπλισμού.
14. Όταν το προϊόν αποσυρθεί οριστικά από τη χρήση, πρέπει να απορριφθεί με τέτοιο τρόπο ώστε να μην μπορεί να χρησιμοποιηθεί ξανά. Συμμορφωθείτε με τους κανονισμούς προστασίας του περιβάλλοντος.
15. Το προϊόν αυτό έχει εγκριθεί σύμφωνα με τους Ευρωπαϊκούς κανονισμούς και τα πρότυπα που προδιαγράφονται στην ενότητα «11. Κανονισμοί και πρότυπα», και πρέπει να επαληθευτεί για τη συμμόρφωση με τους κανονισμούς οποιασδήποτε άλλης χώρας στην οποία μπορεί να χρησιμοποιηθεί, πριν από τη θέση σε λειτουργία και τη χρήση. Συμμορφωθείτε με αυτούς τους κανονισμούς.
16. Για οποιαδήποτε χρήση αυτού του προϊόντος με πρόσθετο εξοπλισμό που μεταδίδει τα σήματά του σε ένα λειτουργικό σύστημα πρέπει να προηγηθεί ανάλυση κινδύνου ειδικά για τις λειτουργικές ρυθμίσεις που χρησιμοποιούνται και πρέπει να ληφθούν ανάλογα όλα τα κατάλληλα μέτρα.

2. Ορισμοί και εικονογράμματα

2.1. Ορισμοί

Σε αυτό το εγχειρίδιο, οι ακόλουθοι όροι έχουν την έννοια που αποδίδεται παρακάτω:

«**Προϊόν**»: Αντικείμενο ή εξοπλισμός που περιγράφεται σε αυτό το εγχειρίδιο και παραδίδεται πλήρης στην τυπική έκδοση ή στα διάφορα υπάρχοντα μοντέλα.

«**Εγκατάσταση**»: Όλες οι λειτουργίες που απαιτούνται για τη μετάβαση του πλήρους προϊόντος από την κατάσταση στην οποία παραδόθηκε σε κατάσταση λειτουργίας (ή σύνδεση με άλλα στοιχεία για θέση σε λειτουργία).

«**Επιβλέπων**»: Άτομο ή υπεύθυνο μέρος για τη διαχείριση και την ασφάλεια χρήσης του προϊόντος το οποίο περιγράφεται στο εγχειρίδιο.

«**Τεχνικός**»: Ειδικευμένο άτομο το οποίο είναι εξοικειωμένο με το προϊόν και, είναι υπεύθυνο για τις εργασίες συντήρησης που περιγράφονται και επιτρέπονται στο χρήστη από το εγχειρίδιο.

«**Χειριστής**»: Άτομο που χρησιμοποιεί το προϊόν σύμφωνα με τις οδηγίες σε αυτό το εγχειρίδιο.

«**ΚΜ**»: Κλίμακα Μέτρησης (πλήρες εύρος).

«**ΩΦΑ**»: Ωφέλιμο Φορτίο Ασφαλείας.

2.2. Εικονογράμματα



«**ΚΙΝΔΥΝΟΣ**»: Όταν τοποθετείται στην αρχή μιας παραγράφου, υποδεικνύει οδηγίες για την πρόληψη τραυματισμών που κυμαίνονται από μικρές έως θανατηφόρες και επίσης περιβαλλοντικές ζημιές.



«**ΣΗΜΑΝΤΙΚΟ**»: Όταν τοποθετείται στην αρχή μιας παραγράφου, υποδεικνύει οδηγίες για την αποτροπή βλάβης ή ζημιάς του προϊόντος που δεν θα έθετε άμεσα σε κίνδυνο τη ζωή ή την υγεία των χειριστών ή άλλων ατόμων ή/και που ενδέχεται να βλάψουν το περιβάλλον.



ΣΗΜΕΙΩΣΗ: Όταν τοποθετείται στην αρχή μιας παραγράφου, υποδεικνύει τις απαραίτητες προφυλάξεις για την αποτελεσματική και εργονομική εγκατάσταση, χρήση και συντήρηση.



: Όταν τοποθετείται στο ίδιο το προϊόν ή ένα στοιχείο του προϊόντος, υποδεικνύει την ανάγκη ανάγνωσης του εγχειριδίου λειτουργίας και συντήρησης.

3. Περιγραφή και σημάσεις

3.1. Παρουσίαση

Οι Dynafor™ Expert είναι αισθητήρες δύναμης ακριβείας (0,1% MR) για μέτρηση δυνάμεων και ένδειξη φορτίων. Το εύρος χωρητικότητας είναι από 0,5 έως 10 τόνους.

Το προϊόν παραδίδεται με μπαταρίες του σε μια θήκη* που περιλαμβάνει:

- Το dynafor™ Expert.
- Εγχειρίδιο εγκατάστασης, λειτουργίας και συντήρησης.
- Το πιστοποιητικό προσαρμογής του.
- Τη δήλωση συμμόρφωσης ΕΚ.

Πιστοποιητικό προσαρμογής

Αυτό το έγγραφο ισχύει για ένα έτος και πιστοποιεί ότι ο αισθητήρας έχει ρυθμιστεί χρησιμοποιώντας μια εσωτερική διαδικασία Tractel® σε ένα πάγκο βαθμονόμησης με έναν τυπικό αισθητήρα συνδεδεμένο με το διεθνές πρότυπο.

Προαπαιτικά: Πιστοποιητικό διακρίβωσης ISO 376

Κατόπιν αιτήματος, ο αισθητήρας μπορεί να παραδοθεί με πιστοποιητικό διακρίβωσης ISO 376.

Το έγγραφο αυτό, που ισχύει για έως 26 μήνες, πιστοποιεί ότι το προϊόν έχει διακριβωθεί σύμφωνα με το πρότυπο ISO 376, σε πάγκο διακρίβωσης του οποίου ο τυποποιημένος αισθητήρας έχει συνδεθεί σύμφωνα με το διεθνές πρότυπο.

Το ειδικό κατοχυρωμένο σχήμα των κεφαλών στερέωσης παρέχει τη δυνατότητα χρήσης συμβατικών κλειδιών ή τυποποιημένων αξεσουάρ για αλυσίδες.

Οι τεχνολογίες που έχουν υλοποιηθεί στα επίπεδα τηλεχειρισμού και τηλεχειρισμού παρέχουν, επιπλέον των παραδοσιακών χρήσεων που είναι αναμενόμενες για ένα δυναμόμετρο, δυνατότητες πολλαπλών διαμορφώσεων που συνδυάζουν πολλούς αισθητήρες. Παρέχουν επίσης πρόσβαση σε εξελιγμένες λειτουργίες όπως η καταγραφή, η διαχείριση ορίων και η παρακολούθηση.

Η δυνατότητα σύνδεσης με PC μέσω της θύρας USB ανοίγει τον δρόμο για τη διαχείριση και την αρχειοθέτηση δεδομένων.

Οι διάφοροι πιθανοί συνδυασμοί περιγράφονται στο κεφάλαιο 4. Συναφής εξοπλισμός.

3.2. Λειτουργική αρχή

Η αρχή λειτουργίας του dynafor™ Expert βασίζεται στη μέτρηση χρησιμοποιώντας μετρητές τάσης της επιμήκυνσης, εντός του ελαστικού ορίου, ενός μεταλλικού σώματος που υπόκειται σε εφελκυσμό.

Το προϊόν λειτουργεί προς όλες τις κατευθύνσεις.

3.3. Σημάνσεις

Δείτε σχήμα 1.

A	Κεφαλή συγκράτησης
B	Πείρος σύζευξης
Γ	Κλιπ ασφάλισης πείρου B
Δ	Προστατευτικό
E	Κάλυμμα
ΣΤ	Κουμπί On/Off (έναρξη/τερματισμός λειτουργίας)
Z	Σειριακός αριθμός
H	Δείκτης λειτουργίας

Θ	Μέγιστη χωρητικότητα αισθητήρα
I	Εξάρτημα κεντραρίσματος κλειδιού
ΙΑ	Δακτύλιος συγκράτησης
ΙΒ	Βίδα στερέωσης καλύμματος ΙΓ
ΙΓ	Κάλυμμα θήκης μπαταριών
ΙΔ	Θήκη μπαταριών (3 x «AA»)
ΙΕ	Κατασκευαστής
ΙΣΤ	Κώδικας QR που οδηγεί στην πλατφόρμα tracinfo που περιλαμβάνει το εγχειρίδιο, το πιστοποιητικό προσαρμογής και το φύλλο δεδομένων

4. Συναφής εξοπλισμός

Το προϊόν είναι συμβατό με τον ακόλουθο εξοπλισμό:

Ανυψωτικά εξαρτήματα:

- Κλειδί με ενσωματωμένο πείρο
- Ναυτικό κλειδί
- Γάντζος κλειδιού

Dynafor™	Κλειδί με ενσωματωμένο πείρο	Ναυτικό κλειδί	Γάντζος κλειδιού
Expert 0.5t	47916	111407	111437
Expert 1t	47916	111407	111437
Expert 2t	47916	111407	111437
Expert 3.2t	47916	111407	111437
Expert 5t	47926	111417	111447
Expert 6.3t	47926	111417	111447
Expert 10t	47936	112207	112217

Για λεπτομέρειες σχετικά με τα ανυψωτικά εξαρτήματα, ανατρέξτε στο τεχνικό φύλλο και στην εικόνα των κλειδιών με ενσωματωμένο πείρο στο σχήμα 2, το ναυτικό κλειδί στο σχήμα 3 και τους γάντζους κλειδιού στο σχήμα 4.

Τα ανυψωτικά εξαρτήματα που δεν συνιστώνται από την Tractel® πρέπει να διαστασιολογούνται σωστά σύμφωνα με τους ισχύοντες τοπικούς κανονισμούς.

Μονάδες οθόνης:

- Η μονάδα απομακρυσμένης οθόνης dynafor™ HHD παρέχει πολλαπλή λειτουργικότητα περιλαμβανομένης της ανάγνωσης και διαχείρισης 4 αισθητήρων από απόσταση έως 400 m σε ανοιχτό χώρο.

Κωδικοί: 293609 όταν γίνεται ταυτόχρονη αγορά με αισθητήρα dynafor™ Expert ή Pro

Κωδικός: 293449 σε μεμονωμένη αγορά

- AL128 μονάδα μεγάλης οθόνης για μεγάλη ευκρίνεια, ψηφία ύψους 128 χιλιοστών με ασύρματη επικοινωνία εμβέλειας έως 200 μέτρων σε ελεύθερο χώρο. Κωδικός: 293489


Μονάδα διαχείρισης ορίων ασφαλείας:

- Μονάδα παρακολούθησης dynafor™ monitoring unit (DMU) που παρέχει την ίδια λειτουργικότητα με τη μονάδα απομακρυσμένης οθόνης dynafor™ HHD και παρέχει τη δυνατότητα ελέγχου έως και 5 ρελέ. Κωδικός: 293479

Λογισμικό:

- Λογισμικό φόρτωσης για τη λήψη των δεδομένων που έχουν καταγραφεί στη μονάδα απομακρυσμένης μονάδας HHD, σε υπολογιστή. Κωδικός: 293509
- Το λογισμικό παρακολούθησης παρέχει τη δυνατότητα εμφάνισης, καταγραφής και ανάλυσης σε πραγματικό χρόνο των τιμών του φορτίου για έως και 8 αισθητήρες. Απαιτεί τη μονάδα απομακρυσμένης μονάδας HHD dynafor™. Κωδικός: 68968
- Εφαρμογή dynafor™ για την προβολή της τιμής φορτίου ενός αισθητήρα από smartphone ή tablet μέσω Bluetooth με εμβέλεια έως 30 m σε ανοικτό χώρο. Διαθέσιμη σε iOS και Android.

5. Χρήσεις

 Ο επιβλέπων πρέπει να διασφαλίσει ότι ένας τεχνικός είναι επιφορτισμένος με την εγκατάσταση του προϊόντος. Ο επιβλέπων πρέπει να διασφαλίσει ότι ο χειριστής έχει επανεξετάσει αυτό το εγχειρίδιο εγκατάστασης, λειτουργίας και συντήρησης πριν χρησιμοποιήσει το προϊόν.

5.1. Τοποθέτηση των μπαταριών

Οι τρεις μπαταρίες 1,5 V «AA» είναι εργοστασιακά τοποθετημένες.

Αφαιρέστε τη μονωτική γλωττίδα που προεξέχει από τη θήκη των μπαταριών για να ενεργοποιήσετε τις μπαταρίες. Για μελλοντική αντικατάσταση της μπαταρίας, ανατρέξτε στην ενότητα 7.1. Αντικατάσταση μπαταρίας.

5.2. Εγκατάσταση

Κατά την εγκατάσταση, είναι απολύτως απαραίτητο να:

1. Βεβαιωθείτε ότι το σημείο αγκύρωσης της γραμμής φορτίου είναι αρκετά ισχυρό για τη δύναμη που θα ασκηθεί.
2. Βεβαιωθείτε ότι τα εξαρτήματα ανύψωσης και στα δύο άκρα του προϊόντος είναι συμβατά και

συμμορφώνονται με τους ισχύοντες τοπικούς κανονισμούς.

3. Ασφαλίστε σωστά τις προσδέσεις βιδώνοντας πλήρως τον πείρο τους. Ασφαλίστε σωστά τους γάντζους «αχλάδια» ελέγχοντας ότι οι πείροι έχουν εφαρμόσει σωστά. Κλειδώστε σωστά τον πείρο του γάντζου κλειδιού με τον πείρο ασφαλείας του. Βεβαιωθείτε ότι το άγκιστρο ασφαλείας του γάντζου είναι παρόν και σε καλή κατάσταση λειτουργίας.
4. Αφήστε το προϊόν να ευθυγραμμιστεί ελεύθερα στη γραμμή δύναμης.
5. Ελέγξτε την παρουσία και την κατάσταση των μπαταριών στον αισθητήρα.
6. Συνδέστε το προϊόν στη μονάδα απομακρυσμένης οθόνης ή σε smartphone μέσω της εφαρμογής Tractel καθώς και σε άλλες συμβατές μονάδες οθόνης που ορίζονται στην παράγραφο 4. Συναφής εξοπλισμός.
7. Σιγουρευτείτε ότι υπάρχει καλή ασύρματη σύνδεση μεταξύ του αισθητήρα και της μονάδας οθόνης.

Χρησιμοποιήστε το προϊόν μόνο με δύναμη εφελκυσμού.

Το προϊόν μπορεί να χρησιμοποιηθεί προς όλες τις κατευθύνσεις, συμπεριλαμβανομένης της οριζόντιας.

Το προϊόν λειτουργεί ικανοποιητικά σε θερμοκρασίες από -20 °C έως + 50 °C. Για χρήση πέρα από αυτές τις θερμοκρασίες, το προϊόν πρέπει να έχει θερμική προστασία.

5.3. Εκκίνηση του αισθητήρα

Ενεργοποιείτε πάντα τον αισθητήρα πριν ενεργοποιήσετε τη μονάδα απομακρυσμένης οθόνης, διαφορετικά η μονάδα απομακρυσμένης οθόνης δεν μπορεί να αποκαταστήσει την ασύρματη σύνδεση.

Ένα ελαφρύ πάτημα στον διακόπτη Start/Stop που βρίσκεται στο κέντρο της μεμβράνης ενεργοποιεί τον διακόπτη ON/OFF. (Δείτε σχήμα 5, στοιχείο ΣΤ.)

Μόλις ενεργοποιηθεί η ροφοδοσία, τα δύο κόκκινα LED αρχίζουν να αναβοσβήνουν ταυτόχρονα.

5.4. Λειτουργίες

5.4.1. Λειτουργία στη βασική διαμόρφωση

Η βασική διαμόρφωση αφορά τη χρήση ενός συνόλου που αποτελείται από έναν μεμονωμένο αισθητήρα και μία

μεμονωμένη μονάδα απομακρυσμένης οθόνης ή/και έναν μεμονωμένο αισθητήρα και ένα smartphone που διαθέτει την εφαρμογή dynafor™. Το σύνολο αυτό μετρά και προβάλλει τη δύναμη στον αισθητήρα.

5.4.2. Αυτόματος μηδενισμός


Όταν το dynafor™ Expert είναι ενεργοποιημένο, η συνδεδεμένη οθόνη θα εμφανίσει «0» υπό την προϋπόθεση ότι η μετρούμενη δύναμη είναι μικρότερη από 10% του ΩΦΑ του προϊόντος.

5.4.3. Πληροφορίες που παρέχει το ενδεικτικό LED του αισθητήρα

ΤΡΟΠΟΣ λειτουργίας αισθητήρα	Ρυθμός αναλαμπών του LED του αισθητήρα	Μετρήσεις ανά δευτερόλεπτο	Διάρκεια ζωής μπαταρίας
Διακοπή	Σβηστό	-	-
Κανονική λειτουργία	1 αναλαμπή ανά δευτερόλεπτο	4 ανά δευτερόλεπτο	300 ώρες
Οικονομική* λειτουργία	1 αναλαμπή ανά 4 δευτερόλεπτα	1 ανά 4 δευτερόλεπτα	1.000 ώρες
Αναστολή λειτουργίας	1 αναλαμπή ανά 8 δευτερόλεπτα	-	3.000 ώρες
Φορτίο αιχμής	2 αναλαμπές ανά δευτερόλεπτο	32 ανά δευτερόλεπτο	100 ώρες
Οι μπαταρίες είναι αποφορτισμένες.	Όπως και στους μεμονωμένους τρόπους λειτουργίας, αλλά ένα LED κάθε φορά		-

*Εργοστασιακή προεπιλογή είναι η αυτόματη μεταγωγή σε οικονομική λειτουργία εάν δεν υπάρχει μεταβολή του φορτίου (10% του ΩΦΑ) για 5 λεπτά. Η οικονομική λειτουργία είναι ρυθμιζόμενη. Δείτε εγχειρίδιο της μονάδας απομακρυσμένης οθόνης dynafor™ HHD.

5.4.4. Λειτουργία σε πολλαπλή και εκτεταμένη διαμόρφωση

 **ΣΗΜΕΙΩΣΗ:** Για περισσότερες λεπτομέρειες, ανατρέξτε στα εγχειρίδια του συναφούς εξοπλισμού που βρίσκονται στην παράγραφο 4. Συναφής εξοπλισμός.

Η πολλαπλή διαμόρφωση αφορά τη σύνδεση έως και τεσσάρων αισθητήρων και μίας ή περισσότερων μονάδων οθόνων. Οι αισθητήρες μπορούν να έχουν διαφορετικές ικανότητες. (Για περισσότερους από τέσσερις αισθητήρες, απαιτείται η σύνδεση με PC.)

Για ορισμένες εφαρμογές, είναι χρήσιμο να εμφανίζονται οι μετρήσεις από διάφορους αισθητήρες σε μία μονάδα απομακρυσμένης οθόνης dynafor™ HHD.

Παράδειγμα: Η ανύψωση φορτίου με μπάρα ανύψωσης που αναρτάται από δύο βίντσια, που το κάθε ένα διαθέτει έναν αισθητήρα. Η ομαδοποίηση των δύο μετρήσεων δύναμης σε μία μονάδα απομακρυσμένης οθόνης dynafor™ HHD παρέχει στον χειριστή τη δυνατότητα να βλέπει τις δύο δυνάμεις και τη συνολική

τους τιμή και να ελέγχει εάν το φορτίο είναι σωστά κατανεμημένο στα δύο βίντσια.

Επικοινωνήστε με την Tractel® για περισσότερες πληροφορίες για τις πολλαπλές διαμορφώσεις

5.5. Απενεργοποίηση του προϊόντος

Για να απενεργοποιήσετε το προϊόν, πατήστε και κρατήστε πατημένο το κουμπί Start/Stop για 2 δευτερόλεπτα χωρίς υπερβολική πίεση.

Εάν δεν υπάρχει μεταβολή φορτίου, το προϊόν θα απενεργοποιηθεί αυτόματα μετά από 20 λεπτά. Αυτή η λειτουργία αναστολής λειτουργίας εξοικονομεί την ενέργεια των μπαταριών του αισθητήρα.

Ο αισθητήρας επανέρχεται αυτόματα σε λειτουργία μόλις επανασυνδεθεί μια συσκευή οθόνης.

Η λειτουργία αυτόματης θέσης σε αναστολή είναι ρυθμιζόμενη. Δείτε εγχειρίδιο της μονάδας απομακρυσμένης οθόνης dynafor™ HHD.

5.6. Απεγκατάσταση

Κατά την απεγκατάσταση του προϊόντος, βεβαιωθείτε ότι όλες οι δυνάμεις εφελκυσμού έχουν αφαιρεθεί εκ των προτέρων.

Καθαρίστε το προϊόν και αποθηκεύστε το σύμφωνα με τις ενότητες 7.2. Άλλες επαληθεύσεις και 8. Αποθήκευση και συντήρηση.

6. Αντενδείξεις χρήσης

Δείτε σχήμα 7.

ΑΠΑΓΟΡΕΥΟΝΤΑΙ ΤΑ ΑΚΟΛΟΥΘΑ:

- Χρήση του προϊόντος σε γραμμή ανύψωσης προσωπικού χωρίς πρώτα να πραγματοποιηθεί συγκεκριμένη ανάλυση κινδύνου.
- Τροποποίηση του προϊόντος.
- Χρήση του προϊόντος πέρα από το ΩΦΑ του με στατικές ή δυναμικές δυνάμεις.
- Συγκόλληση τόξου με το προϊόν στο κύκλωμα γείωσης.
- Έκθεση του προϊόντος σε οποιοδήποτε ηλεκτρικό και/ή ηλεκτρομαγνητικό σκό.
- Αποσυναρμολόγηση ή άνοιγμα του προϊόντος.
- Χρήση του προϊόντος για λειτουργίες άλλες από αυτές που περιγράφονται σε αυτό το εγχειρίδιο.
- Χρήση του προϊόντος εάν υπάρχει κίνδυνος να υποστεί συμπίεση, κάμψη ή εγκάρσιο φορτίο.
- Αποτροπή ευθυγράμμισης του προϊόντος στη γραμμή δύναμης.
- Χρήση του προϊόντος σε πολύ διαβρωτικό περιβάλλον.

- Χρήση του προϊόντος σε εκρηκτικό περιβάλλον.
- Χρήση του προϊόντος εκτός του εύρους θερμοκρασίας από -20 °C έως 50 °C.
- Χρήση του προϊόντος εάν έχει υποστεί ισχύ άνω του 110% του ΩΦΑ του.
- Χρήση του προϊόντος εάν δεν φαίνεται να είναι σε καλή κατάσταση.
- Χρήση του προϊόντος εάν λείπουν σημάνσεις ή είναι δυσανάγνωστες.
- Χρήση του Προϊόντος με αξεσουάρ από ανοξείδωτο χάλυβα.

7. Συντήρηση και περιοδική επαλήθευση

7.1. Αντικατάσταση μπαταρίας

Όταν οι μπαταρίες εξαντλούνται, τα LED στο κέντρο του κουμπιού Start/Stop του αισθητήρα αναβοσβήνουν εναλλάξ.

Στη μονάδα απομακρυσμένης οθόνης εμφανίζεται και ένα προειδοποιητικό μήνυμα. Πρέπει να αντικατασταθούν.

- Χρησιμοποιώντας ένα κατασβίδι Philips, αφαιρέστε το κάλυμμα του χώρου μπαταριών.
- Αντικαταστήστε τις τρεις μπαταρίες «AA» 1,5 V με νέες, έχοντας υπόψη τις πολικότητες.
- Επαναποθετήστε το κάλυμμα του χώρου μπαταριών και σφίξτε τις βίδες στερέωσης έτσι ώστε το κάλυμμα να εφαρμόζει στην άκρη της υποδοχής των μπαταριών.

7.2. Άλλες επαληθεύσεις

Η Tractel® συνιστά περιοδικό έλεγχο της κατάστασης εμφάνισης του προϊόντος και καθαρισμό του αισθητήρα τακτικά με στεγνό πανί.

Η Tractel® συνιστά επίσης ετήσια επαναβαθμονόμηση (για προσαρμογή δείτε ενότητα 3.1. Παρουσίαση) πριν από τη λήξη του έγκυρου πιστοποιητικού.

Η Tractel® μπορεί να παρέχει αυτές τις υπηρεσίες κατόπιν αιτήματος.

8. Αποθήκευση και συντήρηση

Κατά την αποθήκευση ή/και μεταφορά, το προϊόν πρέπει να:

- Συσκευάζεται στην αρχική του συσκευασία με τις μπαταρίες να έχουν αφαιρεθεί
- Αποθηκεύεται σε ξηρό μέρος
- Αποθηκεύεται σε θερμοκρασία μεταξύ -20 °C και 60 °C
- Προστατεύεται από χημικές, μηχανικές ή οποιοδήποτε άλλου τύπου επιθέσεις.

9. Διάθεση προϊόντων και προστασία του περιβάλλοντος

Το προϊόν πρέπει να απορριφθεί σύμφωνα με τους κανονισμούς που ισχύουν στη χώρα χρήσης.

Το προϊόν συμμορφώνεται με τις απαιτήσεις του κανονισμού REACH και της οδηγίας RoHS. Δεν καλύπτεται από την οδηγία AHHE.

Τα διάφορα εξαρτήματα του προϊόντος πρέπει να ανακυκλώνονται με βάση τον παρακάτω πίνακα, αφού διαχωριστούν τα μεταλλικά και συνθετικά υλικά. Αυτά τα υλικά πρέπει να ανακυκλώνονται από εξειδικευμένους οργανισμούς.

Κατά τη στιγμή της απόρριψης, μόνο εκπαιδευμένα άτομα μπορούν να αποσυναρμολογήσουν το προϊόν για να διαχωρίσουν τα εξαρτήματά του.

Εξάρτημα	Να αντιμετωπίζεται ως απόβλητο του τύπου
Σώμα προϊόντος	Αλουμίνιο και χυτοσίδηρος
Ηλεκτρονικό περίβλημα (πλαστικό)	Συνηθισμένα απόβλητα
Τυπωμένη πλακέτα κυκλώματος και οθόνη	Ηλεκτρονικά
Μπαταρίες	Συσσωρευτής

10. Τεχνικές προδιαγραφές

Χαρακτηριστικά της σειράς dynafor™ Expert

Μοντέλο	Μονάδα	Expert 0.5	Expert 1	Expert 2	Expert 3.2	Expert 5	Expert 6.3	Expert 10
ΩΦΑ	t	0,5	1	2	3,2	5	6,3	10
Συντελεστής ασφάλειας		>4						
Ακρίβεια	+/-%	0,1 % της ΚΜ στους 21 °C						
	+/- kg	0,5	1	2	3,2	5	6,3	10
Ανάλυση	kg	0,1	0,2	0,5	0,5	1	1	2
Συχνότητα μέτρησης	Hz	4 Hz – 32 Hz σε λειτουργία φορτίου αιχμής - 1 Hz σε οικονομική λειτουργία						
Εμφάνιση μεγ.	%	110% του ΩΦΑ						
Διάρκεια ζωής μπαταρίας	ώρες	300 έως 1.000						
Τεχνολογία ραδιοσυχνότητας (RF)		Ιδιόκτητη τεχνολογία 2,4 GHz – 2,4835 GHz, εμβέλεια έως 400 m σε ανοιχτό χώρο						
Ισχύς εξόδου ραδιοσυχνότητας	dBm	9,5						
Τεχνολογία Bluetooth		BLE 4.0 (2,4 GHz – 2,4835 GHz), εμβέλεια έως και 30 m σε ανοιχτό χώρο						
Ισχύς εξόδου ραδιοσυχνότητας BLE	dBm	7,71						
Βάρος	kg	2,3	2,3	2,3	2,3	3,35	3,35	6,45
Αξιολόγηση IP		IP 64 (IP 67 προαιρετικά)						
Θερμοκρασία λειτουργίας	°C	-20 °C έως +50 °C						
Υλικό αισθητήρα		Αλουμίνιο						
Υλικό κεφαλών		Χάλυβας						
Μπαταρίες		3x AA						
Διαστάσεις (δείτε σχήμα 6)								
A	χιλιοστά	248	248	248	248	290	290	341
B		224	224	224	224	254	254	296
Γ		Ø20	Ø20	Ø20	Ø20	Ø28	Ø28	Ø40
Δ		10	10	10	10	16	16	20
E		24	24	24	24	35	35	54
ΣΤ		80	80	80	80	80	80	80
Z		100	100	100	100	100	100	100

11. Κανονισμοί και πρότυπα

Το προϊόν που περιγράφεται σε αυτό το εγχειρίδιο συμμορφώνεται με τα ακόλουθα:

Ευρωπαϊκά πρότυπα

Ευρωπαϊκή Οδηγία για τις Μηχανές 2006/42/EK
Οδηγία ραδιοεξοπλισμού: 2014/53/EE

Αναφορά προτύπων ραδιοσυχνότητας
EN300440 V2.1.1
EN300328 V2.2.2
ETSI 203367 V1.1.0

Αναφορά προτύπων υγείας
EN62479 (2010)

Αναφορά προτύπων ΗΜΣ
EN61326-1 (2013)
EN301 489- 1 & 17

Αναφορά προτύπων ηλεκτρικής ασφάλειας
IEC/EN61010-1 (Τροπ. 1 έκδ. 3)

Διεθνή πρότυπα

IEC 61326-1 έκδ. 2: 2012
IEC 61311: 2007

Πρότυπα ΗΠΑ και Καναδά

Αναφορά προτύπων ραδιοσυχνότητας
FCC ενότητα 15
RSS-GEN & RSS-210

Αναφορά προτύπων ΗΜΣ
FCC ενότητα 15
ICES-003

ΣΗΜΕΙΩΣΗ: Η συσκευή αυτή έχει ελεγχθεί και βρέθηκε ότι πληροί τα όρια για ψηφιακή συσκευή τάξης A, σύμφωνα με το Μέρος 15 των κανονισμών της FCC. Τα όρια αυτά έχουν σχεδιαστεί για να παρέχουν εύλογη προστασία από επιβλαβείς παρεμβολές όταν η συσκευή χρησιμοποιείται σε εμπορικό περιβάλλον. Η συσκευή αυτή παράγει, χρησιμοποιεί και μπορεί να εκπέμψει ενέργεια ραδιοσυχνοτήτων και εάν η συσκευή αυτή δεν εγκατασταθεί και δεν χρησιμοποιηθεί σύμφωνα με τις οδηγίες του κατασκευαστή, μπορεί να προκαλέσει επιβλαβείς παρεμβολές στις τηλεπικοινωνίες. Η λειτουργία της συσκευής αυτής σε οικιακή περιοχή είναι πιθανό να προκαλέσει επιβλαβείς παρεμβολές οπότε ο χρήστης πρέπει να αντιμετωπίσει τις παρεμβολές με δικά του έξοδα.

ΣΗΜΕΙΩΣΗ: Το παρόν προϊόν συμμορφώνεται με την πολιτική Διαχείρισης Φάσματος και Τηλεπικοινωνιών της Industry Canada, RSS που ισχύει για τις συσκευές ραδιοσυχνοτήτων που εξαιρούνται από την αδειοδότηση. Η συσκευή επιτρέπεται να λειτουργεί υπό

τις εξής δύο συνθήκες: (1) απαγορεύεται να προκαλεί παρεμβολές και (2) ο χρήστης της συσκευής πρέπει να είναι προετοιμασμένος να αποδέχεται οποιαδήποτε παρεμβολή λαμβάνεται ακόμα κι όταν αυτές οι παρεμβολές είναι πιθανό να επηρεάσουν τη λειτουργία της συσκευής.

Σύμφωνα με τους κανονισμούς της Industry Canada, αυτός ο πομπός ραδιοσυχνοτήτων επιτρέπεται να λειτουργεί με κεραία τύπου και μέγιστης απολαβής (ή μικρότερης απολαβής) που έχει εγκριθεί για τον πομπό από την Industry Canada.

Για να μειωθεί ο κίνδυνος ραδιοπαρεμβολών για άλλους χρήστες, ο τύπος και η απολαβή της κεραίας θα πρέπει να επιλέγεται έτσι ώστε η ισοδύναμη ισότροπα ακτινοβολούμενη ισχύς (equivalent isotropic radiated power - e.i.r.p.) να μην υπερβαίνει την ένταση που απαιτείται για την αποκατάσταση ικανοποιητικής επικοινωνίας.

ΕΛ

12. Αντιμετώπιση προβλημάτων

Προβλήματα	Πιθανές αιτίες	Διορθωτικά μέτρα
Ο αισθητήρας δεν ενεργοποιείται	Οι μπαταρίες είναι αποφορτισμένες.	Αντικαταστήστε τις μπαταρίες.
	Βλάβη ηλεκτρονικών.	Επικοινωνήστε με την Tractel®
Ρυθμός αναλαμπών του LED του αισθητήρα 4 Hz (4 φορές το δευτερόλεπτο)	Δεν υπάρχει επικοινωνία μεταξύ του αισθητήρα και της πλακάτας του.	Επικοινωνήστε με την Tractel®

Για οποιαδήποτε άλλα θέματα που σχετίζονται με τη μονάδα απομακρυσμένης οθόνης, δείτε το εγχειρίδιο.

13. Δήλωση συμμόρφωσης

Αντίγραφο της δήλωσης συμμόρφωσης στο προσάρτημα

Innhold

1. Prioriterte instruksjoner.....	20
2. Definisjoner og piktogrammer.....	21
2.1. Definisjoner.....	21
2.2. Piktogrammer.....	21
3. Beskrivelse og merkeringer.....	21
3.1. Presentasjon.....	21
3.2. Funksjonsprinsipp.....	22
3.3. Merkinger.....	22
4. Tilleggsutstyr.....	22
5. Bruksområder.....	22
5.1. Innsetting av batterier.....	22
5.2. Montering.....	23
5.3. Oppstart av måleren.....	23
5.4. Funksjoner.....	23
5.4.1. Drift i grunnleggende konfigurasjon.....	23
5.4.2. Automatisk nullstilling.....	23
5.4.3. Informasjon gitt av målerens LED.....	23
5.4.4. Drift i flere og utvidede konfigurasjoner.....	23
5.5. Slå av produktet.....	23
5.6. Demontering.....	24
6. Forbudte bruksområder.....	24
7. Vedlikehold og periodisk verifisering.....	24
7.1. Bytte av batteri.....	24
7.2. Andre verifiseringer.....	24
8. Transport og oppbevaring.....	24
9. Avhending av produktet og miljøbeskyttelse.....	24
10. Tekniske spesifikasjoner.....	25
11. Forskrifter og standarder.....	25
12. Feilsøking.....	26
13. Samsvarserklæring.....	26

1. Prioriterte instruksjoner

1. Før installasjon og bruk av produktet, er det viktig at du leser disse instruksjonene og følger instruksjonene for trygg og effektiv bruk. Et eksemplar av disse instruksjonene må gjøres tilgjengelig for alle operatører. Ekstra eksemplarer kan anskaffes ved forespørsel til Tractel®.
2. Ikke bruk produktet hvis noen av merkelappene som er festet til det eller tilleggsutstyr, eller noen av merkelappene på det som er vist bakerst i håndboken ikke lenger er til stede eller leselige. Identiske merkelapper kan anskaffes ved forespørsel til Tractel® og må festes før fortsatt bruk av produktet.
3. Sørg for at alle brukere av produktet er kjent med driften og benytter seg av sikkerhetstiltakene for oppgaven som skal utføres. Disse eksemplarene må gjøres tilgjengelig for alle operatører. Beskytt utstyret fra ukontrollert innblanding.
4. Produktet må installeres og settes i drift under forhold som sikrer at installatøren er trygg i samsvar med gjeldende lokale bestemmelser.
5. Hver gang du bruker produktet, må du først inspisere tilstanden til det og eventuelt tilleggsutstyr. Bruk aldri et produkt som ikke virker å være i god stand.
6. Returner produktet til produsenten for reparasjon hvis det er noen synlige problemer eller problemer med driften som ikke er relatert til batteriets tilstand.
7. Beskytt produktet mot støt.
8. Produktet må aldri brukes til annen slags drift enn den som er beskrevet i disse instruksjonene. Det må aldri brukes til belastninger som overgår trygg arbeidsbelastning angitt på produktet. Det må aldri brukes i en eksplosjonsfarlig atmosfære.
9. Før produktet brukes i et bemannet system, må tilsynsansvarlig først verifisere at gjeldende koeffisienter for bruk som er nødvendig for tryggheten til personell, og generelt samsvar med sikkerhetsforskrifter som gjelder for lastelinjen det brukes til.
10. Tractel® vil ikke være ansvarlig for bruk av produktet i en monteringskonfigurasjon som ikke er beskrevet i disse instruksjonene.
11. Endringer gjort på produktet uten godkjenning av Tractel® eller fjerning av en komponentdel frigjør Tractel® fra ethvert ansvar.
12. Demontering av produktet på en måte som ikke er beskrevet i denne enheten eller reparasjoner som ikke er godkjent av Tractel® frigjør Tractel® fra ethvert ansvar, særlig hvis originaldeler erstattes med deler fra en annen kilde.
13. Et dynafor™ dynamometer er løfteutstyr og sikkerhetsforskrifter som gjelder denne kategorien av utstyr må følges.

NO

14. Når produktet endelig tas ut av drift, må det avhendes på en måte som gjør at det ikke kan brukes igjen. Følg forskrifter for beskyttelse av miljøet.
15. Dette produktet er godkjent i henhold til europeiske forskrifter og standardene spesifisert i avsnittet «11. Forskrifter og standarder», og må verifiseres for samsvar med forskriftene i ethvert annet land der det kan brukes, før idriftsettelse og bruk. Følg slike forskrifter.
16. En risikoanalyse spesifikk for driftsfunksjonene må utføres før bruk av produktet med ekstrautstyr som viderefremidler signalene til et driftssystem og alle nødvendige tiltak må gjøres i samsvar med denne.

2. Definisjoner og piktogrammer

2.1. Definisjoner

I denne håndboken har følgende begreper betydningen angitt nedenfor:

”Produkt”: Gjenstand eller utstyr beskrevet i denne håndboken og levert komplett i standardversjonen, eller i en av dets ulike eksisterende modeller.

”Montering”: Alle handlingene som kreves for å få det komplette produktet fra tilstanden det ble levert i til en tilstand av idriftsettelse (eller tilkobling til andre elementer for idriftsettelse).

”Tilsynsansvarlig”: Person eller aktør ansvarlig for håndtering og trygg bruk av produktet beskrevet i denne håndboken.

”Tekniker”: Kvalifisert person som er kjent med produktet, ansvarlig for vedlikeholdsoperasjoner beskrevet og tillatt i håndboken.

”Operatør”: Person som bruker produktet i henhold til instruksjonene i denne håndboken.

”MR”: Måleområde (full skala).

”SWL”: Trygg arbeidslast.

2.2. Piktogrammer



”FARE”: I begynnelsen av et avsnitt angir det instruksjoner for å forhindre skader, fra små til dødelige, og også miljøskade.



”VIKTIG”: I begynnelsen av et avsnitt angir det instruksjoner for å forhindre feil eller skade på produktet som ikke direkte vil føre til fare for liv eller helse for operatører eller andre personer og/eller som kan skade miljøet.



NB: I begynnelsen av et avsnitt angir det nødvendige forholdsregler for effektiv og ergonomisk montering, bruk og vedlikehold.



: På produktet eller en produktkomponent angir det at det er nødvendig å lese drifts- og vedlikeholdshåndboken.

3. Beskrivelse og merkeringer

3.1. Presentasjon

Dynafor™ Expert er presisjonskraftmålere (0,1 % MR) for kraftmåling og å indikere last. Kapasitetsområdet er fra 0,5 t til 10 t.

Materialet leveres med batterier i en eske* som inneholder:

- Dynafor™ Expert
- Monterings-, drifts- og vedlikeholdshåndboken.
- Justeringssertifikatet.
- CE samsvarserklæring.

Justeringssertifikat

Dette dokumentet er gyldig i ett år og sertifiserer at måleren er justert med en intern Tractel®-prosedyre på en kalibreringsbenk med en standardmåler tilknyttet den internasjonale standarden.

Alternativ: Kalibreringssertifikat ISO 376

På forespørsel kan måleren leveres med kalibreringssertifikat ISO 376.

Dette dokumentet, som er gyldig i opptil 26 måneder, sertifiserer at produktet er kalibrert i samsvar med ISO 376, på en kalibreringsbenk hvis standardmåler er koblet til den internasjonale standarden.

Den spesielle patenterte formen på festehodene gjør det mulig å bruke konvensjonelle sjakler eller standardisert kjedetilbehør.

Teknologiene implementert i radio og programvare tilbyr, i tillegg til de tradisjonelle bruksområdene som forventes av et dynamometer, flere konfigurasjonsmuligheter som kombinerer flere målere. De gir også tilgang til avanserte funksjoner som opptak, terskeladministrasjon og overvåking.

Muligheten for en PC-kobling via en USB-port muliggjør datahåndtering og arkivering.

De forskjellige mulige kombinasjonene er beskrevet i kapittel 4. Tilleggsutstyr.

3.2. Funksjonsprinsipp

Funksjonsprinsippet til dynafor™ Expert er basert på måling med strekkmåler for forlengelse innenfor elastisitetsgrensen til et metallstykke utsatt for strekkbelastning.

Produktet fungerer i alle retninger.

3.3. Merkinger

Se figur 1.

A	Festehode
B	Koblingsstift
C	B-stift festeklips
D	Beskytter
E	Deksel
F	På/av-knapp (start/stopp)
G	Serienummer
H	Operasjonsindikator
I	Maksimal målerkapasitet
J	Sjakkell-sentreringsstykke
K	Festering
L	Dekselets festeskruer M
M	Batterihusedeksel
N	Batterihus (3 x "AA")
O	Produsent
P	QR-kode som leder til tracinfo-plattformen som inneholder brukerhåndbok, justeringssertifikat og datablad

4. Tilleggsutstyr

Produktet er kompatibel med følgende utstyr:

Løftetilbehør:

- Harpesjakkell
- Svingsjakkell
- Svingkrok

Dynafor™	Harpesjakkell	Svingsjakkell	Svingkrok
Expert 0,5 t	47916	111407	111437
Expert 1 t	47916	111407	111437
Expert 2 t	47916	111407	111437
Expert 3,2 t	47916	111407	111437
Expert 5 t	47926	111417	111447
Expert 6,3 t	47926	111417	111447
Expert 10 t	47936	112207	112217

For detaljer om løfteutstyr, se teknisk ark, illustrasjon av buesjakkell i figur 2, svingsjakkell i figur 3 og svingkrok i figur 4.

Løfteutstyr som ikke anbefales av Tractel® må være riktig dimensjonert i henhold til gjeldende lokale forskrifter.

Visningsenheter:

- Den eksterne dynafor™ HHD-skjermenheten har flere funksjoner, inkludert avlesning og administrering av 4 målere opptil en avstand på 400 m i friluft. Koder: 293609 når den kjøpes samtidig med en dynafor™ Expert- eller Pro-måler
Kode: 293449 når den kjøpes separat
- Stor AL128-skjermenhet for høy synlighet, 128 mm høye sifre med trådløs kommunikasjon på opptil 200 m i friluft.
Kode: 293489

Administrasjonsmodul for terskelsikkerhet:

- dynafor™-overvåkingsenhet (DMU) tilbyr de samme funksjonene som den eksterne dynafor™ HDD-skjermenheten, og lar opptil 5 reléer styres.
Kode: 293479

Programvare:

- Lasteprogramvare for nedlasting av data som er registrert på den eksterne dynafor™ HHD-skjermenheten til en datamaskin.
Kode: 293509
- Overvåkingsprogramvare lar lasteverdier vises, registreres og analyseres direkte for opptil 8 målere. Krever den eksterne dynafor™ HHD-skjermenheten.
Kode: 68968
- dynafor™-app for å vise lasteverdien til en måler fra en smarttelefon eller et nettbrett via Bluetooth på opptil 30 m i friluft. Tilgjengelig på iOS og Android.

5. Bruksområder



Tilsynsansvarlig må sørge for at en tekniker får oppgaven med å montere produktet. Tilsynsansvarlig må sørge for at operatøren har gått gjennom denne monterings-, drifts- og vedlikeholdshåndboken før bruk av produktet.

5.1. Innsetting av batterier

De tre 1,5 V "AA"-batteriene er satt inn fra fabrikk.

Fjern isolasjonsfliken som stikker ut av batterihuset for å aktivere batteriene. For senere bytting av batteri, se seksjon 7.1. Bytte av batteri.

5.2. Montering

Under montering er det absolutt nødvendig å:

1. Sørge for at festepunktet eller festepunktene for lastelinjen er tilstrekkelig solide for kraften som blir lagt på.
2. Sørge for at løfteutstyret i begge ender av produktet er kompatible og i samsvar med gjeldende lokale forskrifter.
3. Låse sjaklene korrekt ved å skru inn pinnene helt. Lås pæresjaklene ordentlig ved å påse at pinnene passer ordentlig. Lås gaffelkroken ordentlig med sikkerhetsnålen. Sørg for at sikkerhetslåsen på kroken er på plass og i fungerende tilstand.
4. La produktet fritt legge seg i kraftretningen.
5. Kontroller at batteriene er på plass og i god stand i måleren.
6. Koble produktet til den eksterne skjermenheten eller til en smarttelefon via Tractel-appen og til andre kompatible skjermenheter som definert i avsnitt 4. Tilleggsutstyr.
7. Forsikre deg om at det er en god radioforbindelse mellom måleren og displayboksen.

Bruk produktet kun til strekkraft.

Produktet kan brukes i alle retninger, inkludert vannrett.

Produktet fungerer tilfredsstillende i et temperaturområde fra -20 °C til +50 °C. For bruk utenfor disse temperaturene, må produktet ha temperaturbeskyttelse.

5.3. Oppstart av måleren

Slå alltid på måleren før du slår på den eksterne skjermenheten, ellers vil ikke den eksterne skjermen kunne opprette radiokoblingen.

En lysimpuls på Start/stopp-knappen i midten av membranen aktiverer PÅ/AV-bryteren. (Se figur 5, element F.)

Når strømmen er slått på, begynner de to røde LED-lampene å blinke samtidig.

5.4. Funksjoner

5.4.1. Drift i grunnleggende konfigurasjon

Grunnleggende konfigurasjon består i å bruke et sett som består av en enkelt måler og en

enkelt ekstern skjermenhet, og/eller en enkelt måler og en smarttelefon utstyrt med dynafor™-appen. Dette settet måler og viser kraften til måleren.

5.4.2. Automatisk nullstilling

Når dynafor™ Expert er slått på, viser displayet "0" dersom målt kraft er mindre enn 10 % av SWL for produktet.

5.4.3. Informasjon gitt av målerens LED

Målerdrift MODUS	Måler-LED blinker	Måletegn per sekund	Batteritid
Stopp	Av	-	-
Standard	1 blink per sekund	4 per sekund	300 t
Sparemodus*	1 blink hvert 4. sekund	1 hvert 4. sekund	1 000 t
Hvilemodus	1 blink hvert 8. sekund	-	3 000 t
Topplast	2 blink per sekund	32 per sekund	100 t
Batterier snart tomme.	Identiske med separate moduser, men én LED samtidig		-

*De standard fabrikkinnstillingene er å bytte automatisk til sparemodus hvis det ikke er noen lastevariasjon (10 % av SWL) i 5 minutter. Denne sparemodusen er justerbar. Se håndboken til den eksterne dynafor™ HHD-skjermenheten.

5.4.4. Drift i flere og utvidede konfigurasjoner



NB: For ytterligere detaljer, se tilhørende utstyrshåndbøker definert i avsnitt 4. Tilleggsutstyr.

Flerkonfigurasjonen består i å koble til opptil fire målere og én eller flere skjermenheter. Målerne kan ha forskjellige kapasiteter. (For mer enn fire målere er PC-tilkoblingsalternativet påkrevd.)

For noen bruksområder er det nyttig å vise målingene fra flere målere på en enkelt ekstern dynafor™ HHD-skjermenhet.

Eksempel: Å løfte en last med en løfteboyle hengende fra to vinsjer, hver av dem utstyrt med en måler. Grupperingen av de to kraftmålingene sammen på en enkelt ekstern dynafor™ HHD-skjermenhet lar operatøren se de to kreftene og deres totale verdi og kontrollere at lasten er riktig fordelt mellom de to vinsjene.

Ta kontakt med Tractel® for ytterligere informasjon om flerkonfigurasjoner

5.5. Slå av produktet

For å slå produktet av, trykk og hold inne på/av-knappen i 2 sekunder uten å trykke for hardt.

Hvis det ikke er noen endring i lasten, vil produktet gå inn i hvilemodus automatisk etter 20 minutter. Denne automatiske hvilemodusen bevarer målerbatteriene.

Måleren slås på automatisk når en skjermenhhet kobles til igjen.

Denne automatiske hvilemodusen kan justeres. Se håndboken til den eksterne dynafor™ HHD-skjermenheten.

5.6. Demontering

Ved demontering må det sørges for at alle strekkraft er fjernet på forhånd.

Rengjør produktet og oppbevar det i samsvar med seksjonene 7.2. Andre verifiseringer og 8. Transport og oppbevaring.

6. Forbudte bruksområder

Se figur 7.

FØLGENDE ER FORBUDT:

- Bruk av produktet i et personbærende system uten å først utføre en spesifikk risikoanalyse.
- Endringer på produktet.
- Bruk av produktet som overstiger SWL med statisk eller dynamisk kraft.
- Sveising med produktet i jordkretsen.
- Eksponering av produktet for elektrisk og/eller elektromagnetisk støt.
- Demontering eller åpning av produktet.
- Bruk av produktet til andre operasjoner enn dem som er beskrevet i denne håndboken.
- Bruk av produktet dersom det er risiko for at det blir utsatt for trykkbelastning, bøyning eller torsjonslast.
- Å hindre produktet i å legge seg i kraftretningen.
- Bruk av produktet i et svært korrosivt miljø.
- Bruk av produktet i et eksplosivt miljø.
- Bruk av produktet utenfor temperaturområdet på -20 °C til 50 °C.
- Bruk av produktet hvis det har vært utsatt for en kraft på over 110 % av SWL.
- Bruk av produktet om det ikke virker å være i god stand.
- Bruk av produktet hvis markeringene mangler eller er uleselige.
- Bruk av produktet med tilbehør i rustfritt stål.

7. Vedlikehold og periodisk verifisering

7.1. Bytte av batteri

LED-lampene midt på målerens start/stopp-knapp blinker etter hverandre når batteriene tømmes.

En varselmelding vises også på den eksterne skjermenheten. De må byttes.

- Bruk en stjerneskruttrekker til å fjerne dekselet på batterihuset.
- Bytt de tre "AA"-batteriene på 1,5 V med nye. Husk polariteten.
- Sett batterihusedkselet på igjen og stram festeskruene slik at dekselet ligger plant med enden av batterihuset.

7.2. Andre verifiseringer

Tractel® anbefaler at du regelmessig inspiserer produktets visuelle tilstand og rengjør måleren regelmessig med en tørr klut.

Tractel® anbefaler også årlig rekalkibrering (for justering, se seksjon 3.1. Presentasjon.) før det gyldig sertifikatet utløper.

Tractel® kan levere disse tjenestene på forespørsel.

8. Transport og oppbevaring

Under oppbevaring og/eller transport må produktet være:

- Innpakket i originalinnpakningen med batteriene fjernet
- Oppbevart på et tørt sted
- Lagret ved en temperatur mellom -20 °C og 60 °C
- Beskyttet mot kjemisk, mekanisk eller annen type angrep.

9. Avhending av produktet og miljøbeskyttelse

Produktet må kastes i henhold til gjeldende forskrifter i landet det brukes.

Produktet er i samsvar med kravene i REACH-forskriften og RoHS-direktivet – det dekkes ikke av WEEE-direktivet.

De ulike produktkomponentene må resirkuleres på grunnlag av tabellen under, etter at metall og syntetiske materialer er atskilt. Disse materialene må resirkuleres av spesialistorganisasjoner.

På tidspunktet for avhending, må kun opplærte personer ta produktet fra hverandre for å skille komponentene.

Komponent	Skal håndteres som avfall av typen
Produktets hovedenhet	Aluminium og støpejern
Elektronisk innkapsling (plastikk)	Vanlig avfall
Trykt kretskort og display	Elektronikk
Batterier	Akkumulator

10. Tekniske spesifikasjoner

Egenskaper for dynafor™ Expert-serien

Modell	Enhet	Expert 0.5	Expert 1	Expert 2	Expert 3.2	Expert 5	Expert 6.3	Expert 10
SWL	t	0,5	1	2	3,2	5	6,3	10
Sikkerhetskoeffisient		>4						
Presisjon	+/- %	0,1 % EM ved 21 °C						
	+/- kg	0,5	1	2	3,2	5	6,3	10
Oppløsning	kg	0,1	0,2	0,5	0,5	1	1	2
Målingsfrekvens	Hz	4 Hz – 32 Hz i topplastmodus – 1 Hz i sparemodus						
Maks. display	%	110 % av SWL						
Batteritid	t	300 ved 1000						
RF-teknologi (radiofrekvens)		2,4 GHz – 2,4835 GHz-eier, rekkevidde på opptil 400 m i friluft						
RF-radioutgangseffekt	dBm	9,5						
Bluetooth-teknologi		BLE 4,0 (2,4 GHz – 2,4835 GHz), rekkevidde på opptil 30 m i friluft						
BLE-radioutgangseffekt	dBm	7,71						
Vekt	kg	2,3	2,3	2,3	2,3	3,35	3,35	6,45
IP-rangering		IP 64 (IP 67 som alternativ)						
Driftstemperatur	°C	-20 °C til +50 °C						
Kabinettmateriale		Aluminium						Stål
Hodenes materiale		Stål						
Batterier		3x AA						
Mål (se figur 6)								
A	mm	248	248	248	248	290	290	341
B		224	224	224	224	254	254	296
C		Ø20	Ø20	Ø20	Ø20	Ø28	Ø28	Ø40
D		10	10	10	10	16	16	20
E		24	24	24	24	35	35	54
F		80	80	80	80	80	80	80
G		100	100	100	100	100	100	100

11. Forskrifter og standarder

Produktet beskrevet i denne håndboken samsvarer med følgende:

Europeiske standarder

Maskindirektiv 2006/42/EC
RED-direktiv: 2014/53/UE

Referanse for radiostandarder
EN300440 V2.1.1
EN300328 V2.2.2
ETSI 203367 V1.1.0

Referanse for helsestandarder:
EN62479 (2010)

Referanse for EMC-standarder
EN61326-1 (2013)
EN301 489- 1 & 17

Referanse for standarder for elektrisk sikkerhet:
IEC/EN61010-1 (Amd 1 vers. 3)

Internasjonale standarder

IEC 61326-1 vers.2: 2012
IEC 61311: 2007

Amerikanske og kanadiske standarder

Referanse for radiostandarder
FCC-seksjon 15
RSS-GEN & RSS-210

Referanse for EMC-standarder
FCC-seksjon 15
ICES-003

NB: Dette utstyret er testet og funnet i samsvar med grensene for digitalt utstyr i klasse A i henhold til seksjon 15 av FCC-forskriftene. Disse grensene er ment å gi rimelig beskyttelse mot skadelig interferens når utstyret brukes i et kommersielt miljø. Dette utstyret genererer, bruker og kan sende ut radiobølger og kan, hvis det ikke installeres og brukes i henhold til instruksjonene, føre til skadelig interferens med radiokommunikasjon. Bruk av dette utstyret i et boligområde vil sannsynligvis forårsake skadelig interferens, i hvilket tilfelle brukeren må eliminere interferensen for egen regning.

NB: Dette produktet samsvarer med Industry Canadas RSS som gjelder radiolisenser som er unntatt lisenser. Utstyret kan brukes på følgende to betingelser: (1) det må ikke forårsake interferens, og (2) brukeren av

enheten må være forberedt på å godta eventuell mottatt radiointerferens, selv om slik interferens sannsynligvis vil påvirke enhetens drift.

I samsvar med Industry Canada-forskriftene kan denne radiosenderen betjenes med en antenne av en type og maksimal forsterkning (eller mindre) som er godkjent for senderen av Industry Canada.

For å redusere risikoen for radiointerferens for andre brukere, bør antenntypen og dens forsterkning velges slik at den tilsvarende isotropiske utstrålte effekten (e.i.r.p.) ikke overstiger intensiteten som kreves for å etablere tilfredsstillende kommunikasjon.

12. Feilsøking

Problemer	Mulige årsaker	Tiltak
Måleren slår seg ikke på	Tomme batterier.	Skift ut batteriene.
	Defekt elektronikk.	Ta kontakt med Tractel®
Måler-LED blinker ved 4 Hz (4 ganger per sekund)	Ingen kommunikasjon mellom måleren og krets kortet.	Ta kontakt med Tractel®

For andre problemer relatert til den eksterne skjermenheten, se håndboken.

13. Samsvarserklæring

Kopi av samsvarserklæringen finnes i tillegget

Innehåll

1. Prioritetsinstruktioner.....	27
2. Definitioner och piktogram.....	28
2.1. Definitioner.....	28
2.2. Piktogram.....	28
3. Beskrivning och markeringar.....	28
3.1. Presentation.....	28
3.2. Driftprincip.....	29
3.3. Markeringar.....	29
4. Associerade redskap.....	29
5. Användning.....	29
5.1. Sätta i batterier.....	29
5.2. Montering.....	30
5.3. Starta sensorn.....	30
5.4. Funktioner.....	30
5.4.1. Drift i grundkonfiguration.....	30
5.4.2. Automatisk nollställning.....	30
5.4.3. Information tillhandahållen av sensorns LED.....	30
5.4.4. Drift i multikonfigurering och ökad konfiguration.....	30
5.5. Stänga av produkten.....	30
5.6. Avinstallation.....	31
6. Förbjuden användning.....	31
7. Underhåll och periodisk verifiering.....	31
7.1. Batteribyte.....	31
7.2. Andra kontroller.....	31
8. Transport och förvaring.....	31
9. Kassering av produkten och miljöskydd.....	31
10. Tekniska specifikationer.....	32
11. Regleringar och standarder.....	32
12. Felsökning.....	33
13. Försäkran om överensstämmelse.....	33

1. Prioritetsinstruktioner

1. Innan du monterar och använder den här produkten är det viktigt att du läser denna bruksanvisning och följer dess instruktioner för säker och effektiv användning. En kopia av denna bruksanvisning måste göras tillgänglig för alla operatörer. Ytterligare kopior kan erhållas på begäran från Tractel®.
2. Använd inte denna produkt om någon av etiketterna på den eller någon av dess tillbehör eller någon av markeringarna på den som visas i slutet av denna bruksanvisning inte längre finns eller är läsbara. Identiska etiketter kan erhållas på begäran från Tractel® och måste fästas innan du fortsätter att använda denna produkt.
3. Se till att alla användare av denna produkt är bekanta med dess funktion och kan tillämpa säkerhetskraven för den uppgift som ska utföras. Denna bruksanvisning måste göras tillgänglig för alla användare. Skydda din utrustning från okontrollerat ingripande.
4. Denna produkt måste monteras och tas i drift under förhållanden som säkerställer monterings säkerhet i enlighet med tillämpliga lokala föreskrifter.
5. Varje gång du använder produkten ska du först kontrollera dess tillstånd och alla tillbehör. Använd aldrig en produkt som inte verkar vara i gott skick.
6. Returnera produkten till tillverkaren för service om det finns synliga problem eller driftsproblem som inte är relaterade till batteriets skick.
7. Skydda produkten från påverkan.
8. Denna produkt får aldrig användas för andra åtgärder än de som beskrivs i denna bruksanvisning. Den får aldrig användas för laster över den säkra arbetsbelastningen som anges på produkten. Den får aldrig användas i en explosiv atmosfär.
9. Innan denna produkt används i ett system för människor måste arbetsledaren först kontrollera tillämpningen av de användningskoefficienter som krävs för personalens säkerhet och i allmänhet överensstämmelsen med de säkerhetsföreskrifter som gäller för den lastlinje där den används.
10. Tractel® är inte ansvarigt för användning av denna produkt i en monteringskonfiguration som inte beskrivs i denna bruksanvisning.
11. Varje modifiering av denna produkt utan godkännande av Tractel® eller avlägsnande av någon komponentdel kommer att befria Tractel® från allt ansvar.
12. Demontering av denna produkt som inte beskrivs i denna bruksanvisning eller reparationer som inte godkänts av Tractel® ska befria Tractel® från allt ansvar, särskilt om originaldelar byts ut mot delar från en annan källa.

SE

13. En dynafor™-dynamometer är ett lyfttillbehör och de säkerhetsföreskrifter som gäller för den kategorin av utrustning måste tillämpas.
14. När produkten slutligen tas ur bruk måste den skrotas på ett sådant sätt att den inte kan användas igen. Följ miljöskyddsföreskrifterna.
15. Denna produkt är godkänd enligt europeiska regler och de standarder som anges i avsnittet "11. Regler och standarder" och måste verifieras för överensstämmelse med föreskrifterna i alla andra länder där de får användas, innan idrifttagning och användning. Efterfölj sådana regler.
16. All användning av denna produkt med ytterligare utrustning som vidarebefordrar dess signaler till ett operativsystem måste föregås av en riskanalys som är specifik för de använda funktionerna och alla lämpliga åtgärder måste vidtas i enlighet med detta.



"VIKTIGT": När det placeras i början av ett stycke indikerar det instruktioner för att förhindra produktfel eller skada som inte direkt skulle äventyra operatörens eller andra individers liv eller hälsa och/eller som kan skada miljön.



OBS! När det placeras i början av ett stycke indikerar det nödvändiga försiktighetsåtgärder för effektiv och ergonomisk montering, användning och underhåll.



: När den placeras på själva produkten eller en produktkomponent indikerar det behovet av att läsa bruks- och underhållshandboken.

2. Definitioner och piktogram

2.1. Definitioner

I denna bruksanvisning har följande termer betydelsen nedan:

"Produkt": Föremål eller utrustning som beskrivs i denna bruksanvisning och levereras komplett i standardversionen eller i dess olika befintliga modeller.

"Montering": Alla åtgärder som krävs för att föra den fullständiga produkten från det tillstånd där den levererades till driftsättningstillstånd (eller anslutning till andra element för idrifttagning).

"Arbetsledare": Individ eller person som ansvarar för hantering och säker användning av produkten som beskrivs i bruksanvisningen.

"Tekniker": Kvalificerad person som är bekant med produkten och som ansvarar för de underhållsåtgärder som beskrivs och är tillåtna i bruksanvisningen.

"Operatör": Individ som använder produkten i enlighet med anvisningarna i denna bruksanvisning.

"MR": Mätintervall (full skala).

"SWL": Säker arbetsbelastning.

2.2. Piktogram



"FARA": När det placeras i början av ett stycke indikerar det instruktioner för att förhindra skador som sträcker sig från lindriga till dödliga samt även miljöskador.

3. Beskrivning och markeringar

3.1. Presentation

Dynafor™ Expert är precisionskraftsensorer (0,1 % MR) för mätning av krafter och indikering av belastningar. Kapacitetsintervallet är från 0,5 ton till 10 ton.

Materialet levereras med batterierna i ett fodral* som innehåller:

- Dynafor™ Expert.
- Dess monterings-, drifts- och underhållshandbok.
- Dess justeringsintyg.
- Dess CE-försäkran om överensstämmelse.

Justeringsintyg

Detta dokument är giltigt i ett år och intygar att sensorn har justerats med hjälp av en intern Tractel®-procedur på en kalibreringsbank med en standardsensor ansluten till den internationella standarden.

Tillval: Kalibreringscertifikat ISO 376

Sensorn kan på begäran levereras med ett ISO 376-kalibreringscertifikat.

Detta dokument är giltigt i 26 månader och intygar att sensorn har justerats i enlighet med ISO 376 på en kalibreringsbank vars standardsensor är ansluten till den internationella standarden.

Den särskilda, patenterade formen på fästenas huvuden gör att konventionella schacklar eller standardiserade kedjetillbehör kan användas.

De tekniker som tillämpas på radio- och programvarunivåerna erbjuder, utöver den användning som traditionellt förväntas av en dynamometer, flera olika konfigureringsalternativ som kombinerar flera sensorer. De ger även tillgång till avancerade funktioner såsom inspelning, tröskelhantering och övervakning.

Med PC-uppkoppling via USB-port möjliggörs datahantering och arkivering.

De olika möjliga kombinationerna beskrivs i kapitel 4. Associerade redskap.

3.2. Driftprincip

Funktionsprincipen för dynafor™ Expert baseras på mätning med töjningsmätare av förlängning, inom den elastiska gränsen, av en metallkropp utsatt för dragspänning.

Produkten fungerar i alla riktningar.

3.3. Markeringar

Se figur 1.

A	Fästets huvud
B	Kopplingsstift
C	Hållklämmor med B-stift
D	Skydd
E	Lock
F	På/av-knapp (start/stopp)
G	Serienummer
H	Driftindikator
I	Maximal sensorkapacitet
J	Centreringsdel för schackel
K	Fästring
L	Lockets fästskruv M
M	Batterifackets lock
N	Batterifack (3 x AA)
O	Tillverkare
P	QR-kod som leder till tracinfo-plattformen med bruksanvisning, justeringsintyg och datablad

4. Associerade redskap

Produkten är kompatibel med följande redskap:

Lyfttillbehör:

- Lyrschackel
- Gaffelschackel
- Gaffelkrok

Dynafor™	Lyrschackel	Gaffelschackel	Gaffelkrok
Expert 0,5 ton	47916	111407	111437
Expert 1 ton	47916	111407	111437
Expert 2 ton	47916	111407	111437
Expert 3,2 ton	47916	111407	111437
Expert 5 ton	47926	111417	111447

Expert 6,3 ton	47926	111417	111447
Expert 10 ton	47936	112207	112217

För information om lyfttillbehör, se tekniska specifikationer och illustration av lyrschacklar i figur 2, gaffelschacklar i figur 3 och gaffelkrokar i figur 4.

Lyfttillbehör som inte rekommenderas av Tractel® måste ha korrekta mått enligt gällande lokala föreskrifter.

Skärmenheter:

- Dynafor™ HHD-fjärrskärmenhet erbjuder många olika funktioner, såsom avläsning och hantering av 4 sensorer upp till ett avstånd på 400 m utan hinder. Koder: 293609 för vara inköpt tillsammans med en dynafor™ Expert- eller Pro-sensor. Kod: 293449 för separat inköpt vara
- AL128 stor skärmenhet för hög läsbarhet, 128 mm höga siffror med trådlös kommunikation upp till 200 m utan hinder. Kod: 293489

Hanteringsmodul för tröskelsäkerhet:

- dynafor™-övervakningsenhet (DMU) som erbjuder samma funktioner som dynafor™ HHD-fjärrskärmenhet och som tillåter kontroll av upp till 5 reläer. Kod: 293479

Programvara:

- Nedladdningsprogramvara för nedladdning av de data som registreras på dynafor™ HHD-fjärrskärmenheten till en dator. Kod: 293509
- Övervakningsprogramvara gör att belastningsvärden kan visas, registreras och analyseras live för upp till 8 sensorer. Kräver dynafor™ HHD-fjärrskärmenheten. Kod: 68968
- dynafor™-app för visning av en sensors belastningsvärde från en smartphone eller surfplatta via Bluetooth upp till 30 m utan hinder. Tillgänglig på iOS och Android.

5. Användning



Arbetsledaren måste se till att en tekniker har till uppgift att montera produkten. Arbetsledaren måste se till att operatören har granskat denna monterings-, drift- och underhållshandbok före användning av produkten.

5.1. Sätta i batterier

De två AAA-batterierna på 1,5 V är fabriksinstallerade.

Ta bort den isolerande fliken som sticker ut från batterifacket för att aktivera batterierna. För efterföljande batteribyte, se avsnitt 7.1. Batteribyte.

5.2. Montering

Under monteringen är det absolut nödvändigt att:

1. se till att lastlinjens ankarpunkt eller ankarpunkter är tillräckligt starka för den kraft som ska läggas till
2. se till att lyfttillbehören i båda ändar av produkten är kompatibla och överensstämmer med gällande lokala föreskrifter
3. låsa fast schacklarna korrekt genom att skriva in stiften helt låsa fast päronschacklarna korrekt genom att kontrollera att stiften passar låsa gaffelkrokens stift korrekt med dess säkerhetsstift se till att krokens säkerhetsspärr är på plats och i fungerande skick
4. låta produkten röra sig fritt i kraftlinjen
5. kontrollera att sensorns batterier är på plats och är i fungerande skick
6. ansluta produkten till fjärrskärmenheten eller till en smartphone via Tractel-appen och till andra kompatibla skärmar som anges i avsnitt 4. Associerade redskap.
7. se till att det finns en god radiolänk mellan sensor och skärmdosan

endast använda produkten med dragkraft

Produkten kan användas i alla riktningar, även horisontellt.

Produkten fungerar bra i ett temperaturintervall från -20 °C till +50 °C. För användning utöver dessa temperaturer måste produkten ha termiskt skydd.

5.3. Starta sensor

Sätt alltid på sensorn innan du sätter på fjärrskärmenheten. Annars kommer fjärrskärmenheten inte att kunna upprätta en radiolänk.

En ljusimpuls på start/stopp-knappen i mitten av membranet aktiverar på/av-strömbrytaren. (Se figur 5, artikel F.)

När strömmen kopplas på börjar två röda LED-lampor blinka samtidigt.

5.4. Funktioner

5.4.1. Drift i grundkonfiguration

Grundkonfiguration består av en uppsättning bestående av en enkel sensor och en

enkel fjärrskärmenhet och/eller en enkel sensor och en smartphone utrustad med dynafor™-appen. Denna uppsättning mäter och visar kraften vid sensorn.

5.4.2. Automatisk nollställning

När dynafor™ Expert är påslagen visar skärmenheten "0" förutsatt att den uppmätta kraften är mindre än 10 % av produktens SWL.

5.4.3. Information tillhandahållen av sensorns LED

Sensordriftläge	Sensorns LED blinkar	Mätningar per sekund	Batteritid
Stopp	Av	-	-
Standard	1 blinkning per sekund	4 per sekund	300 h
Ekonomi*	1 blinkning var 4:e sekund	1 var 4:e sekund	1 000 h
Viloläge	1 blinkning var 8:e sekund	-	3 000 h
Toppbelastning	2 blinkningar per sekund	32 per sekund	100 h
Lågt batteri.	Identiskt med separata lägen, men en LED samtidigt		-

*Fabriksinställningen är att automatiskt byta till ekonomiläge om det inte finns belastningsvariation (10 % av SWL) under 5 minuter. Ekonomiläget är justerbart. Se bruksanvisningen för dynafor™ HHD-fjärrskärmenheten.

5.4.4. Drift i multikonfigurering och utökad konfigurering



OBS! För ytterligare information se bruksanvisningar för motsvarande utrustning angivna i avsnitt 4. Associerade redskap.

Multikonfigureringen består av anslutning av upp till fyra sensorer och en eller flera skärmar. Sensorerna kan ha olika kapaciteter. (För fler än fyra sensorer krävs tillvalet PC-anslutning.)

För vissa applikationer är det användbart att visa mätningar från flera sensorer på en enkel dynafor™ HHD-fjärrskärmenhet.

Exempel: Lyft av en last med en lyftbom som hängs upp med två vinschar som båda är utrustade med en sensor. När två kraftmätningar grupperas ihop på en enkel dynafor™ HHD-fjärrskärmenhet kan operatören se de två krafterna och deras sammanlagda värde samt kontrollera att lasten är korrekt fördelad mellan de två vinscharna.

Kontakta Tractel® för ytterligare information om multikonfigurering

5.5. Stänga av produkten

Håll ned start/stopp-knappen i 2 sekunder för att stänga av produkten, utan att trycka för hårt.

Om det inte finns någon belastningsvariation stängs produkten av automatiskt efter 20 minuter. Detta automatiska viloläge sparar sensorns batterier.

Sensorn sätts på igen automatiskt när bildskärmen kopplas på igen.

Detta automatiska viloläge kan justeras. Se bruksanvisningen för dynafor™ HHD-fjärrskärmenheten.

5.6. Avinstallation

När du monterar ner produkten ska du se till att alla dragkrafter har tagits bort i förväg.

Rengör produkten och förvara den enligt avsnitten 7.2. Andra kontroller och 8. Transport och förvaring.

6. Förbjuden användning

Se figur 7.

FÖLJANDE ÄR FÖRBJUDET:

- att använda produkten för persontransport utan att först göra en specifik riskanalys
- att ändra på produkten
- att använda produkten utöver dess SWL med statiska eller dynamiska krafter
- att bågsvetsa med produkten i jordningskretsen
- att utsätta produkten för elektriska och/eller elektromagnetiska stötar
- att demontera eller öppna produkten
- att använda produkten för andra åtgärder än de som beskrivs i denna bruksanvisning
- att använda produkten om det finns en risk att den kan utsättas för tryck-, böjnings- eller vridbelastning
- att förhindra produkten från att justeras i kraftlinjen
- att använda produkten i en mycket frätande miljö
- att använda produkten i en explosiv miljö
- att använda produkten utanför temperaturintervallet -20 °C till 50 °C
- att använda produkten om den har utsatts för en kraft över 110 % av dess SWL
- att använda produkten om den inte verkar vara i gott skick
- att använda produkten om markeringarna saknar eller är oläsliga
- att använda produkten med tillbehör i rostfritt stål

7. Underhåll och periodisk verifiering

7.1. Batteribyte

LED-lamporna i mitten av sensorns start/stopp-knapp blinkar en efter en när batterierna är tomma.

Ett varningsmeddelande visas också på fjärrskärmenheten. De måste bytas ut.

- Ta bort locket till batterifacket med en Philips-skruvmejsel.
- Byt ut de tre AAA-batterierna på 1,5 V mot nya med tanke på polariteterna.
- Sätt tillbaka batterifackets lock och dra åt fästskruvarna så att locket ligger i linje med kanten på batterifacket.

7.2. Andra kontroller

Tractel® rekommenderar att du regelbundet kontrollerar produktens yttre skick och rengör sensorn regelbundet med en torr trasa.

Tractel® rekommenderar även årlig omkalibrering (för justering se avsnitt 3.1 Presentation) innan det giltiga certifikatet löper ut.

Tractel® kan tillhandahålla dessa tjänster på begäran.

8. Transport och förvaring

Under förvaring/transport ska produkten:

- förpackas i originalförpackningen med borttagna batterier
- förvaras på en torr plats
- förvaras vid en temperatur mellan -20 °C och +60 °C
- skyddas från kemiska, mekaniska eller andra typer av påfrestningar.

9. Kassering av produkten och miljöskydd

Produkten måste kasseras i enlighet med de regler som gäller i det land där den används.

Produkten uppfyller kraven i REACH-förordningen och RoHS-direktivet. Den täcks inte av WEEE-direktivet.

De olika produktkomponenterna måste återvinnas på basis av tabellen nedan efter separering av metall och syntetiska material. Dessa material måste återvinnas av specialiserade organisationer.

Vid tidpunkten för kassering får endast utbildade personer demontera produkten för att separera dess komponenter.

Komponent	Ska behandlas som avfall av typen
Produktkropp	Aluminium och gjutjärn
Elektronikhölje (plast)	Vanligt avfall
Mönsterkort och skärm	Elektronik
Batterier	Ackumulator

10. Tekniska specifikationer

Funktioner för dynafor™ Expert-sortimentet

Modell	Enhet	Expert 0.5	Expert 1	Expert 2	Expert 3.2	Expert 5	Expert 6.3	Expert 10
SWL	ton	0,5	1	2	3,2	5	6,3	10
Säkerhetskoefficient		> 4						
Noggrannhet	+/- %	0,1 % EM å 21 °C						
	+/- kg	0,5	1	2	3,2	5	6,3	10
Upplösning	kg	0,1	0,2	0,5	0,5	1	1	2
Måtfrekvens	Hz	4–32 Hz i toppbelastningsläge – 1 Hz i ekonomiläge						
Max. skärm	%	110 % av SWL						
Batteritid	h	300 till 1000						
RF-teknologi (radiofrekvens)		2,4–2,4835 GHz ägare, räckvidd upp till 400 m utan hinder						
RF-radiouteffekt	dBm	9,5						
Bluetooth-teknik		BLE 4.0 (2,4–2,4835 GHz), räckvidd upp till 30 m utan hinder						
BLE-radiouteffekt	dBm	7,71						
Vikt	kg	2,3	2,3	2,3	2,3	3,35	3,35	6,45
IP-klassificering		IP 64 (IP 67 som tillval)						
Driftstemperatur	°C	–20 °C till +50 °C						
Sensorns material		Aluminium						Stål
Huvudenas material		Stål						
Batterier		3 x AA						
Mått (se figur 6)								
A	mm	248	248	248	248	290	290	341
B		224	224	224	224	254	254	296
C		Ø20	Ø20	Ø20	Ø20	Ø28	Ø28	Ø40
D		10	10	10	10	16	16	20
E		24	24	24	24	35	35	54
F		80	80	80	80	80	80	80
G		100	100	100	100	100	100	100

11. Regleringar och standarder

Produkten som beskrivs i denna bruksanvisning följer följande:

Europeiska standarder

Maskindirektivet 2006/42/EG
RED-direktivet: 2014/53/EU

Referens för radiostandarder
EN300440 V2.1.1
EN300328 V2.2.2
ETSI 203367 V1.1.0

Referens för hälsostandarder
EN62479 (2010)

Referens för elektromagnetiska kompatibilitetsstandarder
EN61326-1 (2013)
EN301 489- 1 & 17

Referens för elsäkerhetsstandarder
IEC/EN61010-1 (tillägg 1 utg. 3)

Internationella standarder

IEC 61326-1 utg. 2: 2012
IEC 61311: 2007

Amerikanska och kanadensiska standarder

Referens för radiostandarder
FCC artikel 15
RSS-GEN och RSS-210

Referens för elektromagnetiska kompatibilitetsstandarder
FCC artikel 15
ICES-003

OBS: Den här utrustningen har testats och bedömts överensstämma med gränsvärdena för en digital klass A-enhet enligt artikel 15 i FCC:s regler. Gränserna är satta för att ge en rimlig grad av skydd mot skadliga störningar när utrustningen används i kommersiell miljö. Utrustningen genererar, använder och kan utstråla radiovågor. Om den inte monteras och används enligt bruksanvisningen kan den orsaka skadliga störningar på radiokommunikation. Användning av den här utrustningen i ett bostadsområde kommer sannolikt att orsaka störningar, vilka användaren i så fall måste åtgärda på egen bekostnad.

OBS: Denna produkt följer Industry Canadas RSS-standard som är tillämplig på licensfria radioapparater. Utrustningen kan användas under följande två villkor: (1) den får inte orsaka några störningar och (2) enhetens

användare måste vara beredd att acceptera eventuella radiostörningar som tas emot, även ifall störningarna sannolikt kommer att påverka driften av enheten.

Denna radiosändare kan, i enlighet med Industry Canadas föreskrifter, användas med en antenn av en typ och maximal förstärkning (eller mindre) som godkänts för sändaren av Industry Canada.

För att minska risken att andra användare drabbas av radiostörningar måste en sådan antenntyp och maximal förstärkning väljas att den ekvivalenta isotropa utstrålade effekten (e.i.r.p.) inte överstiger den intensitet som krävs för att upprätta tillfredsställande kommunikation.

12. Felsökning

Problem	Möjliga orsaker	Åtgärder
Sensorn sätter inte igång	Batterierna är tomma.	Byt ut batterierna.
	Defekt elektronik.	Kontakta Tractel®
Sensorns LED blinkar med 4 Hz (4 gånger per sekund)	Ingen kommunikation mellan sensorn och dess mönsterkort.	Kontakta Tractel®

För andra frågor gällande fjärrskärmenheten, se bruksanvisningen.

13. Försäkran om överensstämmelse

Kopia av försäkran om överensstämmelse i bilagan

Sisältö

1. Ensisijaiset ohjeet.....	34
2. Määritelmät ja kuvat	35
2.1. Määritelmät.....	35
2.2. Kuvat.....	35
3. Kuvaus ja merkinnät.....	35
3.1. Tuotekuvaus	35
3.2. Toimintaperiaate	36
3.3. Merkinnät.....	36
4. Liittyvät laitteet.....	36
5. Käyttötarkoitukset.....	37
5.1. Paristojen asentaminen	37
5.2. Asennus.....	37
5.3. Anturin käynnistäminen.....	37
5.4. Toiminnot	37
5.4.1. Käyttö peruskonfiguraatiossa	37
5.4.2. Automaattinen nollaus	37
5.4.3. Anturin ledin antamat tiedot.....	37
5.4.4. Käyttö moni- ja laajennuskonfiguraatiossa	37
5.5. Tuotteen sammuttaminen	38
5.6. Asennuksen poistaminen.....	38
6. Kielletty käyttö	38
7. Huolto ja säännöllinen tarkistus.....	38
7.1. Pariston vaihtaminen.....	38
7.2. Muut tarkastukset	38
8. Kuljettaminen ja säilytys	38
9. Tuotteen hävittäminen ja ympäristönsuojelua koskevat seikat	38
10. Tekniset tiedot.....	39
11. Säännökset ja standardit	39
12. Vianmääritys.....	40
13. Vaatimustenmukaisuusvakuutus	40

1. Ensisijaiset ohjeet

1. Ennen tämän tuotteen asentamista ja käyttöä käyttäjän on ehdottomasti luettava nämä ohjeet ja noudatettava niitä turvallisen ja tehokkaan käytön takaamiseksi. Näiden ohjeiden kopion on oltava kaikkien käyttäjien saatavilla. Lisäkopioita saa Tractel®-yhtiöltä pyynnöstä.
2. Älä käytä tätä tuotetta, jos jotkin siihen tai sen lisävarusteisiin kiinnitetyistä tarroista tai jotkin tämän käyttöoppaan loppuosassa olevista merkinnöistä eivät enää ole luettavissa. Identtisiä tarroja saa Tractel®-yhtiöltä pyynnöstä, ja ne on kiinnitettävä tuotteeseen ennen käytön jatkamista.
3. Varmista, että kaikki tämän tuotteen käyttäjät tuntevat sen toiminnan ja pystyvät soveltamaan suoritettavaan tehtävään liittyviä turvallisuusvaatimuksia. Näiden ohjeiden on oltava käyttäjien saatavilla. Suojaa laitteesi hallitsemattomilta toimenpiteiltä.
4. Tämä tuote on asennettava ja otettava käyttöön olosuhteissa, jotka takaavat asentajan turvallisuuden voimassa olevien paikallisten määräysten mukaisesti.
5. Tarkista tuotteen ja mahdollisten lisävarusteiden kunto aina ennen käyttöä. Älä koskaan käytä tuotetta, joka ei näytä olevan hyvässä kunnossa.
6. Palauta tuote valmistajalle huollettavaksi, jos siinä on näkyviä ongelmia tai toimintaongelmia, jotka eivät liity paristojen tilaan.
7. Suojaa tuote iskulta.
8. Tätä tuotetta ei saa koskaan käyttää muihin kuin näissä ohjeissa kuvattuihin toimintoihin. Sitä ei saa koskaan käyttää sellaisten kuormien kanssa, jotka ylittävät tuotteessa ilmoitetun sallitun kuorman. Sitä ei saa koskaan käyttää räjähdysherkässä ympäristössä.
9. Ennen kuin tätä tuotetta käytetään tuolihissijärjestelmässä, valvojan on ensin varmistettava henkilöstön turvallisuuden edellyttämien turvallisuuskertoimien soveltaminen ja yleisesti käytettävän kuormalinjan turvallisuusmääräysten noudattaminen.
10. Tractel®-yhtiö ei ole vastuussa tämän tuotteen käytöstä sellaisten kokoonpanojen kohdalla, joita ei ole kuvattu näissä ohjeissa.
11. Kaikki muutokset tähän tuotteeseen tai komponenttien poistaminen ilman Tractel®-yhtiön hyväksyntää vapauttavat Tractel®-yhtiön vastuusta.
12. Mikä tahansa tämän tuotteen purkaminen, jota ei ole kuvattu näissä ohjeissa, tai mitkä tahansa korjaustyöt, joita Tractel®-yhtiö ei ole hyväksynyt, vapauttavat Tractel®-yhtiön kaikesta vastuusta, varsinkin jos alkuperäiset osat korvataan toisen valmistajan osilla.

13. dynafor™-dynamometri on nostoapuväline, ja kyseiseen laiteluokkaan sovellettavia turvallisuusmääräyksiä on noudatettava.
14. Kun tuote lopulta poistetaan käytöstä, se on romutettava siten, että sitä ei voida käyttää uudelleen. Noudata ympäristönsuojelumääräyksiä.
15. Tuote on hyväksytty kohdassa 11. Säännökset ja standardit kuvattujen eurooppalaisten säädösten ja standardien mukaisesti, ja vaatimustenmukaisuus muiden käyttömuiden määräysten kanssa on varmistettava ennen käyttöönottoa ja käyttöä. Noudata tällaisia määräyksiä.
16. Ennen tämän tuotteen käyttöä yhdessä sellaisten lisävarusteiden kanssa, jotka välittävät tuotteen signaaleja käyttöjärjestelmään, on suoritettava käyttötoimintokohtainen riskianalyysi, ja kaikki asianmukaiset toimenpiteet on vastaavasti toteutettava.



TÄRKEÄÄ: Kun kuva on sijoitettu kappaleen alkuun, se osoittaa ohjeet sellaisten vikojen tai vahinkojen estämiseksi, jotka eivät suoraan vaaranna käyttäjien tai muiden ihmisten henkeä tai terveyttä ja/tai jotka voivat vahingoittaa ympäristöä.



HUOM.: Kun kuva on sijoitettu kappaleen alkuun, se osoittaa tarvittavat varotoimet tehokkaan ja ergonomisen asennuksen, käytön ja huollon toteuttamiseksi.



: Kun kuva on sijoitettu itse tuotteeseen tai johonkin sen komponenttiin, se osoittaa käyttö- ja huolto-oppaan lukemisen tarpeen.

3. Kuvaus ja merkinnät

3.1. Tuotekuvaus

Dynafor™ Expert -anturit ovat tarkkoja voima-antureita (0,1 % MR) voiman mittaamiseen ja kuormien osoittamiseen. Kapasiteettialue on 0,5–10 tonnia.

Materiaali toimitetaan akun kanssa kotelossa*, joka sisältää seuraavat:

- dynafor™ Expert -anturi
- asennus-, käyttö- ja huolto-opas
- säätösertifikaatti
- CE-vaatimustenmukaisuusvakuutus.

Säätösertifikaatti

Tämä asiakirja on voimassa yhden vuoden ja todistaa, että anturi on säädetty Tractel®-yhtiön sisäisen menetelmän mukaisesti kalibrointilaitteella, jossa vakioanturi on kytketty kansainväliseen standardiin.

Vaihtohehto: Kalibrointitodistus ISO 376

Anturi voidaan pyydettyäessä toimittaa ISO 376 -kalibrointitodistuksen kera.

Tämä asiakirja on voimassa enintään 26 kuukautta ja todistaa, että anturi on säädetty ISO 376 -standardin mukaisesti kalibrointilaitteella, jossa vakioanturi on kytketty kansainväliseen standardiin.

Kiinnityspäiden erityinen patentoitu muoto mahdollistaa tavallisten kahleiden tai standardisoitujen ketjutarvikkeiden käytön.

Radio- ja ohjelmistotason teknologiat mahdollistavat dynamometrin tavallisen käytön lisäksi monikonfiguraatiotapoja, joissa yhdistyy useita antureita. Ne mahdollistavat myös edistyneitä toimintoja kuten nauhoittamisen, kynnystenhallinnan ja seurannan.

2. Määritelmät ja kuvat

2.1. Määritelmät

Tässä käyttöoppaassa seuraavilla termeillä on seuraavat merkitykset:

Tuote: Tuote tai laite, joka on kuvattu tässä oppaassa ja toimitettu valmiina vakioversion kanssa tai jossakin useassa olemassa olevassa mallissa.

Asennus: Kaikki tarvittavat toimenpiteet, joiden mukaan koko tuote voidaan koota sen toimitustilasta käyttöönottilaan (tai liitettäväksi muihin käyttöönottoon tarkoitettuihin elementteihin).

Valvoja: Henkilö tai osapuoli, joka vastaa käyttöoppaassa kuvatun tuotteen hallinnasta ja turvallisuudesta käytöstä.

Teknikko: Tuotteen tunteva pätevä henkilö, joka vastaa käyttöoppaassa kuvatuista ja sallituista huoltotoimenpiteistä.

Käyttäjä: Henkilö, joka käyttää tuotetta tämän käyttöoppaan ohjeiden mukaisesti.

MR: Mittausasteikko (täysi mittakaava).

SWL: Salliittu kuormitus.

2.2. Kuvat



VAARA: Kun kuva on sijoitettu kappaleen alkuun, se osoittaa ohjeet ympäristövahinkojen ja loukkaantumisten (lievistä vahingoista kuolemaan johtaviin) estämiseksi.

Mahdollisuus yhdistää laite USB-portitse tietokoneeseen avaa oven tietojen hallintaan ja arkistointiin.

Erilaiset mahdolliset yhdistelmät kuvataan luvussa 4. Liittyvät laitteet.

3.2. Toimintaperiaate

Dynafor™ Expert -anturin toimintaperiaate perustuu vetojännitykselle altistetun metallirungon mittaukseen venymääntureilla elastisuusrajan puitteissa.

Tuote toimii kaikkiin suuntiin.

3.3. Merkinntät

Katso kuva 1.

A	Kiinnityspää
B	Liitântätappi
C	B-tapin pysäytyspuristimet
D	Suojus
E	Kansi
F	Virtakytkin (On/Off tai Start/Stop)
G	Sarjanumero
H	Käytönmalmsin
I	Suurin anturikapasiteetti
J	Haarukan keskityskappale
K	Kiinnitysrengas
L	Kannen kiinnitysruuvi M
M	Paristolokeron kansi
N	Paristokotelo (3 x AA)
O	Valmistaja
P	Tracinfo-alustalle, josta löytyy käyttöopas, säätösertifikaatti ja tiedote, vievä QR-koodi

4. Liittyvät laitteet

Tuote on yhteensopiva seuraavien laitteiden kanssa:

Nostoapulaatteet:

- Laajennettu sakkeli
- Haarukan sakkeli
- Haarukan koukku

Dynafor™	Laajennettu sakkeli	Haarukan sakkeli	Haarukan koukku
Expert 0,5 t	47916	111407	111437
Expert 1 t	47916	111407	111437
Expert 2 t	47916	111407	111437
Expert 3,2 t	47916	111407	111437
Expert 5 t	47926	111417	111447
Expert 6,3 t	47926	111417	111447
Expert 10 t	47936	112207	112217

Katso lisätietoja nostoapulaatteista teknisistä tiedoista, laajennetuista sakkeista kuvasta 2, haarukan sakkeista kuvasta 3 ja haarukan koukuista kuvasta 4.

Nostoapulaatteet, joita Tractel® ei ole suositellut, on mitoitettava oikein voimassa olevien paikallisten säädösten mukaisesti.

Näyttölaitteet:

- dynafor™ HHD -etänäyttöyksikössä on useita toimintoja, mukaan lukien 4 anturin lukeminen ja hallinta jopa 400 metrin etäisyydellä ulkoilmassa. Koodit: 293609 ostettaessa yhdessä dynafor™ Expert- tai Pro-anturin kanssa
Koodi: 293449 ostettaessa erikseen
- AL128 suuri näyttöyksikkö, korkea näkyvyys, 128 mm korkeat merkit ja langaton viestintä jopa 200 metriin ulkoilmassa.
Koodi: 293489

Kynnyksen turvahallintamoduuli:

- dynafor™ -seurantayksikkö (DMU), joka tarjoaa samat toiminnot kuin dynafor™ HHD -etänäyttöyksikkö ja jolla voi jopa 5 relettä hallita yhtä aikaa.
Koodi: 293479

Ohjelmistot:

- Latausohjelmisto dynafor™ HHD -etänäyttöyksikköön tallennettujen tietojen lataamiseen tietokoneelle.
Koodi: 293509
- Seurantaohjelmistolla voi näyttää, nauhoittaa ja analysoida jopa 8 anturin kuorma-arvoja reaaliaikaisesti. Tarvitsee dynafor™ HHD -etänäyttöyksikön.
Koodi: 68968
- dynafor™-sovellus, joka näyttää anturin kuorma-arvon älypuhelimella tai tabletilla Bluetoothilla jopa 30 metrin etäisyydellä ulkoilmassa. Saatavilla iOS:ssä ja Androidissa.

5. Käyttötarkoitukset



Valvojan on varmistettava, että tuotteen asentaa teknikko. Valvojan on varmistettava, että käyttäjä on tutustunut tähän asennus-, käyttö- ja huolto-oppaaseen ennen tuotteen käyttöä.

5.1. Paristojen asentaminen

Kolme 1,5 V:n AA-paristoa on asennettu laitteeseen tehtaalla.

Poista paristolokerosta ulkoneva kieleke aktivoitaksesi paristot. Katso paristojen vaihtamisohjeet kohdasta 7.1. Pariston vaihtaminen.

5.2. Asennus

Asennuksen aikana on ehdottoman välttämätöntä:

1. varmistaa, että kuormalinjan ankkuripiste tai -pisteet ovat riittävän kestäviä kohdistuvaan voimaan nähden
2. varmistaa, että nostoapulaitteet tuotteen molemmissa päissä ovat yhteensopivia ja noudattavat voimassa olevia paikallisia määräyksiä
3. lukita sakkelit oikein kiertämällä niiden tapit kokonaan sisään lukita päärynäsakkelit tarkistamalla, että tapit sopivat lukita haarukan liitintappi ja sen varmistinsokka oikein varmistaa, että koukun varmistin on paikallaan ja hyvässä kunnossa
4. antaa tuotteen asettua vapaasti linjaan voiman suuntaisesti
5. tarkistaa, että paristot on lisätty, ja anturin paristojen kunto
6. yhdistää tuote etänäyttöyksikköön tai älypuhelimeen Tractel-sovelluksella ja muihin kappaleessa 4. Liittyvät laitteet määriteltyihin yhteensopiviin näyttölaitteisiin
7. varmistaa, että anturin ja näyttölaitekon välillä on hyvä radioyhteys

Käytä tuotetta vain vetojännityksen kanssa.

Tuotetta voidaan käyttää kaikkiin suuntiin, myös vaakasuoraan.

Tuote toimii tyydyttävästi lämpötila-alueella -20...50 °C. Tuote vaatii lämpösuojaan, kun sitä käytetään edellä mainitun lämpötila-alueen ulkopuolella.

5.3. Anturin käynnistäminen

Käynnistä aina anturi ennen etänäyttöyksikköä; muuten etänäyttöyksikkö ei voi muodostaa radioyhteyttä.

Kalvon keskellä olevassa start/stop-painikkeessa oleva valopulssi aktivoi virtakytkimen. (Katso kuva 5, kohde F.)

Kun virta kytketään päälle, kaksi punaista ledia alkavat vilkkua yhtä aikaa.

5.4. Toiminnot

5.4.1. Käyttö peruskonfiguraatiossa

Peruskonfiguraatio koostuu sarjasta, jossa on yksi anturi ja

yksi etänäyttöyksikkö ja/tai yksi anturi ja dynafor™-sovelluksella varustettu älypuhelin. Sarja mittaa ja näyttää voiman anturin kohdalla.

5.4.2. Automaattinen nollaus

Kun dynafor™ Expert -anturi kytketään päälle, liitetyssä näyttöyksikössä näkyy "0" edellyttäen, että mitattu voima on alle 10 % tuotteen sallitusta kuormituksesta (SWL).

5.4.3. Anturin ledin antamat tiedot

Anturin TOIMINTATILA	Anturin ledi vilkkuu	Mittauksia sekuntia kohti	Paristojen kesto
Seis	Off	–	–
Vakio	1 välähdys per sekunti	4 per sekunti	300 h
Economy*	1 välähdys joka 4. sekunti	1 joka 4. sekunti	1 000 h
Lepotila	1 välähdys joka 8. sekunti	–	3 000 h
Huippukuorma	2 välähdystä per sekunti	32 per sekunti	100 h
Paristojen virta matala.	Sama kuin eri moodit, mutta yksi ledi samaan aikaan	–	–

*Oletustehdasasetus on vaihtaa automaattisesti virransäätötilaan, jos 5 minuutin aikana ei ole kuormavariaatioita (10 % SWL-arvosta). Virransäätötila on säädettävissä. Katso dynafor™ HHD -etänäyttöyksikön käyttöopas.

5.4.4. Käyttö moni- ja laajennuskonfiguraatiossa



HUOM.: Katso lisätietoja liitettyjen laitteiden oppaista kappaleesta 4. Liittyvät laitteet.

Monikonfiguraatio koostuu enintään neljästä anturista ja vähintään yhdestä näyttölaitteesta. Antureilla voi olla eri kapasiteetit. (Jos antureita on yli neljä, on yhdistettävä tietokoneeseen.)

Jossain käyttökohteissa on hyödyllistä näyttää usean anturin mittaukset yhdellä dynafor™ HHD -etänäyttöyksiköllä.

Esimerkki: Kuorman nostaminen kahteen vinssiin (kummassakin anturi) ripustetulla levitinpalkilla. Kahden voimamittauksen ryhmittäminen yhteen dynafor™ HHD -etänäyttöyksikköön antaa käyttäjän katsella kahta voimaa ja niiden kokonaisarvoa sekä tarkistaa, että kuorma jakautuu oikein kahteen vinssiin.

Ota yhteyttä Tractel®-yhtiöön saadaksesi lisätietoja monikonfiguraatioista

5.5. Tuotteen sammuttaminen

Sammuta laite pitämällä virtapainiketta painettuna 2 sekunnin ajan, mutta painamatta liian kovaa.

Jos kuormituksen vaihtelua ei ole, tuote siirtyy lepotilaan automaattisesti 20 minuutin kuluttua. Automaattinen lepotila säästää anturin paristoja.

Anturi käynnistyy uudestaan automaattisesti, kun siihen yhdistetään näyttölaite.

Automaattista lepotilaa voi säätää. Katso dynafor™ HHD -etänäyttöyksikön käyttöopas.

5.6. Asennuksen poistaminen

Kun poistat tuotteen asennuksen, varmista, että kaikki vetojännitteet on poistettu etukäteen.

Puhdista tuote kohtien 7.2. Muut tarkastukset ja 8. Kuljettaminen ja säilytys.

6. Kielletty käyttö

Katso kuva 7.

SEURAAVAT OVAT KIELLETTYJÄ:

- tuotteen käyttö ihmisten nostohissijärjestelmissä suorittamatta ensin erityistä riskianalyysiä
- tuotteen muokkaaminen
- tuotteen käyttö sallitun kuormituksen (SWL) rajojen ulkopuolella staattisilla tai dynaamisilla voimilla
- kaarihittsaaminen tuotteen ollessa liitettynä maadoituspiiriin
- tuotteen altistaminen sähköiskuille ja/tai sähkömagneettisille iskuille
- tuotteen purkaminen tai avaaminen
- tuotteen käyttö muihin kuin tässä käyttöoppaassa kuvattuihin toimintoihin
- tuotteen käyttö, jos on olemassa riski, että siihen voi kohdistua puristus-, taivutus- tai vääntökuormituksia
- tuotteen vapaan voiman suuntaisen linjaan asettumisen estäminen
- tuotteen käyttö erittäin syövyttävässä ympäristössä
- tuotteen käyttö räjähdysherkässä ympäristössä
- tuotteen käyttö $-20...50$ °C:n lämpötila-alueen ulkopuolella

- tuotteen käyttö, jos siihen on kohdistunut voima, joka on yli 110 % sen sallitusta kuormauksesta (SWL)
- tuotteen käyttö, jos se ei näytä olevan hyvässä kunnossa
- tuotteen käyttö, jos merkintöjä puuttuu tai ne ovat lukukelvottomia
- tuotteen käyttö ruostumattomasta teräksestä valmistetuilla lisävarusteilla

7. Huolto ja säännöllinen tarkistus

7.1. Pariston vaihtaminen

Anturin start/stop-painikkeen keskellä olevat ledit välkkyvät vuoroittain, kun paristot ovat tyhjiä.

Etänäyttöyksikössä näkyy myös varoitusviesti. Tässä tapauksessa ne on vaihdettava.

- Irrota paristolokeron kansi ristipääruuvitaltalla.
- Vaihda kolme 1,5 V:n AA-paristoa uusiin ottaen huomioon napaisuudet.
- Aseta paristolokeron kansi takaisin ja kiristä kiinnitysruuvit siten, että kansi on samassa tasossa paristolokeron reunan kanssa.

7.2. Muut tarkastukset

Tractel®-yhtiö suosittelee tuotteen ulkonäön säännöllistä tarkastamista ja anturin puhdistamista säännöllisesti kuivalla liinalla.

Tractel®-yhtiö suosittelee myös vuosittaista uudelleenkalibrointia (säätöohjeet kohdassa 3.1 Tuotekuvaus) ennen voimassa olevan sertifikaatin voimassaolon päättymistä.

Tractel®-yhtiö tarjoaa näitä palveluja pyynnöstä.

8. Kuljettaminen ja säilytys

Säilytyksen ja/tai kuljetuksen aikana tuotteen on oltava:

- pakattuna alkuperäispakkaukseen paristot poistettuna
- säilytettyinä kuivassa paikassa
- säilytettyinä $-20...60$ °C lämpötilassa
- suojattuna kemiallisilta, mekaanisilta tai muun tyyppisiltä iskuilta.

9. Tuotteen hävittäminen ja ympäristönsuojelua koskevat seikat

Tuote on hävitettävä käyttömaassa voimassa olevien määräysten mukaisesti.

Tuote täyttää REACH-asetuksen ja RoHS-direktiivin vaatimukset, mutta se ei kuulu sähkö- ja elektroniikkalaiteromudirektiivin soveltamisalaan.

Tuotteen eri osat on kierrätettävä alla olevan taulukon perusteella metallisten ja synteettisten materiaalien erottelemisen jälkeen. Erikoisjärjestöjen on kierrätettävä nämä materiaalit.

Hävittämishetkellä vain koulutetut henkilöt saavat purkaa tuotteen osien erottelemiseksi toisistaan.

Komponentti	Käsiteltävä seuraavan tyyppin jätteenä
Tuotteen runko	Alumiini ja valurauta
Elektronisten osien kotelo (muovi)	Tavallinen jäte
Piirilevy ja näyttö	Elektroniikka
Paristot	Ongelmajäte

10. Tekniset tiedot

Dynafor™ Expert -anturivalikoiman ominaisuudet

Malli	Yksikkö	Expert 0,5	Expert 1	Expert 2	Expert 3,2	Expert 5	Expert 6,3	Expert 10
Sallittu kuormaus (SWL)	t	0,5	1	2	3,2	5	6,3	10
Turvallisuuskerroin		>4						
Tarkkuus	+/- %	0,1 % EM à 21 °C						
	+/- kg	0,5	1	2	3,2	5	6,3	10
Resoluutio	kg	0,1	0,2	0,5	0,5	1	1	2
Mittaustaajuus	Hz	4 Hz – 32 Hz huippukuormati. – 1 Hz virransäätöti.						
Enimmäisnäyttö	%	110 % arvosta SWL						
Paristojen kesto	h	300 à 1 000						
Radiotaajuusteknologia		2,4 GHz – 2,4835 GHz omistaja, kantama jopa 400 m ulkoilmassa						
RF-virran ulostulo	dBm	9,5						
Bluetooth-teknologia		BLE 4,0 (2,4 GHz – 2,4835 GHz), kantama jopa 30 m ulkoilmassa						
BLE-radiovirran ulostulo	dBm	7,71						
Paino	kg	2,3	2,3	2,3	2,3	3,35	3,35	6,45
IP-luokitus		IP 64 (IP 67 vaihtoehtona)						
Käyttölämpötila	°C	–20...50 °C						
Anturin materiaali		Alumiini						Teräs
Päiden materiaali		Teräs						
Paristot		3 x AAA						
Mitat (katso kuva 6)								
A	mm	248	248	248	248	290	290	341
B		224	224	224	224	254	254	296
C		Ø20	Ø20	Ø20	Ø20	Ø28	Ø28	Ø40
D		10	10	10	10	16	16	20
E		24	24	24	24	35	35	54
F		80	80	80	80	80	80	80
G		100	100	100	100	100	100	100

11. Säännökset ja standardit

Tässä käyttöohjeessa kuvattu tuote on seuraavien standardien mukainen:

Eurooppalaiset standardit

Konedirektiivi 2006/42/EY
Radiolaitedirektiivi: 2014/53/EU

Radiostandardien viite
EN300440 V2.1.1

EN300328 V2.2.2
ETSI 203367 V1.1.0

Terveysstandardien viite
EN62479 (2010)

EMC-standardien viite
EN61326-1 (2013)
EN301 489- 1 ja 17

Sähköturvallisuusstandardien viite
IEC/EN61010-1 (muutos 1 ver. 3)

Kansainväliset standardit

IEC 61326-1 painos 2: 2012
IEC 61311: 2007

Yhdysvaltalaiset ja kanadalaiset standardit

Radiostandardien viite
FCC 15 kohta
RSS-GEN ja RSS-210

EMC-standardien viite
FCC 15 kohta
ICES-003

Huom.: Tämä laite on testattu ja sen on todettu noudattavan luokan A digitaalilaitteen rajoja FCC-säännösten 15 kohdan mukaisesti. Nämä raja-arvot on suunniteltu suojaamaan kohtuullisesti häiriöltä, kun järjestelmää käytetään kaupallisessa ympäristössä. Järjestelmä muodostaa, käyttää ja saattaa säteillä radioaaltoja, jotka voivat aiheuttaa haitallisia radioviestinnän häiriöitä, jos järjestelmää ei asenneta tai käytetä käyttöohjeen ohjeiden mukaan.

Tämän järjestelmän käyttö asuinalueilla aiheuttaa todennäköisesti vahingollisia häiriöitä. Tällaisten häiriöiden korjaaminen ja niistä syntyvät kulut ovat käyttäjän vastuulla.

Huom.: Tuote noudattaa Industry Canadan lisenssivapaisiin radiolaitteisiin sovellettavaa RSS-standardia. Laitetta voi käyttää seuraavan kahden ehdon nojalla: (1) Se ei saa aiheuttaa häiriöitä, ja (2) laitteen käyttäjän on oltava valmis hyväksymään mahdollinen vastaanotettu radiohäirintä silloinkin, kun häirintä luultavasti vaikuttaa laitteen käyttöön.

Industry Canadan määräysten mukaisesti tätä radiolähetintä saa käyttää vain Industry Canadan hyväksymän antennityypin kanssa ja lähettimelle sallitulla enimmäisvahvistuksella (tai sitä alhaisemmalla vahvistuksella).

Vähennä radiohäirinnän riskiä muille käyttäjille valitsemalla antennityyppi ja vahvistus niin, ettei ekvivalenttinen isotrooppinen säteilyteho (EIRP) ylitä tyydyttävään viestintään tarvittavaa intensiteettiä.

FI

12. Vianmääritys

Ongelmat	Mahdolliset syyt	Korjaustoimenpide
Anturi ei käynnisty	Paristot ovat tyhjä.	Vaihda paristot.
	Viallinen elektroniikka.	Ota yhteyttä Tractel®-yhtiöön.
Anturin ledi vilkkuu 4 Hz:n taajuudella (4 kertaa sekunnissa)	Anturin ja virtapiirin välillä ei ole viestintää.	Ota yhteyttä Tractel®-yhtiöön.

Katso muita etänäyttöyksikköön liittyviä ongelmia käyttöoppaasta.

13. Vaatimustenmukaisuusvakuutus

Kopio vaatimustenmukaisuusvakuutuksesta liitteessä

Indhold

1. Vigtige instruktioner	41
2. Definitioner og piktogrammer	42
2.1. Definitioner.....	42
2.2. Piktogrammer	42
3. Beskrivelse og mærkning	42
3.1. Præsentation	42
3.2. Driftsprincip	43
3.3. Mærkninger.....	43
4. Tilhørende udstyr.....	43
5. Anvendelsesområder.....	44
5.1. Installation af batterierne	44
5.2. Installation.....	44
5.3. Opstart af sensoren	44
5.4. Funktioner.....	44
5.4.1. Drift i grundlæggende konfiguration	44
5.4.2. Automatisk nulstilling	44
5.4.3. Information tilvebragt af sensor-LED'en	44
5.4.4. Betjening i multikonfiguration og udvidet konfiguration	44
5.5. Sluk produktet.....	45
5.6. Afinstallation.....	45
6. Forbudte anvendelsesområder.....	45
7. Vedligeholdelse og periodisk verifikation.....	45
7.1. Udskiftning af batterier	45
7.2. Andre verifikationer	45
8. Transport og opbevaring.....	45
9. Produktbortskaffelse og miljøbeskyttelse	46
10. Tekniske specifikationer.....	46
11. Regler og standarder	47
12. Fejlfinding	47
13. Overensstemmelseserklæring	47

1. Vigtige instruktioner

1. Før du installerer og bruger dette produkt, er det vigtigt, at du læser denne vejledning og overholder dens instruktioner vedr. sikker og effektiv brug. En kopi af denne vejledning skal gøres tilgængelig for alle operatører. Yderligere kopier kan fås på anmodning fra Tractel®.
2. Brug ikke dette produkt, hvis nogen af de etiketter, der er påført det eller noget af dets tilbehør, eller nogen af markeringerne på det som vist i slutningen af denne manual ikke længere er til stede eller ikke kan læses. Identiske mærkater kan fås på anmodning fra Tractel® og skal påføres, før du fortsætter med at bruge dette produkt.
3. Sørg for, at enhver bruger af dette produkt er fortløbig med dets funktion og er i stand til at følge sikkerhedskravene til den opgave, der skal udføres. Denne vejledning skal gøres tilgængelig for alle brugere. Beskyt dit udstyr mod ukontrollerede afbrydelse.
4. Dette produkt skal installeres og tages i brug under forhold, der sikrer installatørens sikkerhed i overensstemmelse med gældende lokale regler.
5. Hver gang du bruger produktet, skal du først kontrollere dets tilstand og tilbehør. Brug aldrig et produkt, der ikke ser ud til at være i god stand.
6. Returner produktet til producenten til service, hvis der er synlige eller driftsmæssige problemer, som ikke er relateret til batteriets tilstand.
7. Beskyt produktet mod stød.
8. Dette produkt må aldrig bruges til andre handlinger end dem, der er beskrevet i denne vejledning. Det må aldrig bruges til belastninger over den sikre arbejdsbelastning, der er angivet på produktet. Det må aldrig bruges i en eksplosiv atmosfære.
9. Før dette produkt anvendes i et system til personhejs, skal tilsynsføreren først kontrollere anvendelsen af de anvendelseskoeficienter, der kræves af hensyn til personalets sikkerhed, og generel overholdelse af sikkerhedsbestemmelserne for den belastningslinje, hvori det bruges.
10. Tractel® hæfter ikke for driften af dette produkt i en samlet konfiguration, der ikke er beskrevet i denne vejledning.
11. Enhver ændring af dette produkt uden godkendelse af Tractel® eller fjernelse af nogen komponentdel frigør Tractel® fra ethvert ansvar.
12. Enhver demontering af dette produkt, der ikke er beskrevet i denne vejledning, eller ethvert reparationsarbejde, der ikke er godkendt af Tractel®, frigør Tractel® fra ethvert ansvar, navnlig hvis originale dele udskiftes med dele fra en anden kilde.

DK

13. Et dynafor™-dynamometer er et løfteudstyr, og de sikkerhedsbestemmelser, der gælder for denne kategori af udstyr, skal følges.
14. Når produktet tages ud af drift, skal det skrottet på en sådan måde, at det ikke kan bruges igen. Overhold miljøbeskyttelsesbestemmelserne.
15. Dette produkt er godkendt iht. europæiske regler og de standarder, der er specificeret i afsnittet "11. Regler og standarder", og skal verificeres for overholdelse af reglerne i ethvert andet land, hvor det kan bruges, inden idriftsættelse og brug. Overhold sådanne regler.
16. Enhver brug af dette produkt sammen med ekstraudstyr, der videregiver dets signaler til et operativsystem, skal indledes med en risikoanalyse, der er specifik for de anvendte driftsfunktioner, og alle passende foranstaltninger skal træffes i overensstemmelse hermed.

2. Definitioner og piktogrammer

2.1. Definitioner

I denne vejledning har følgende begreb betydningen nedenfor:

"Produkt": Genstande eller udstyr beskrevet i denne manual og leveret komplet i standardversionen eller i dens forskellige eksisterende modeller.

"Installation": Alle de operationer, der kræves for at bringe det komplette produkt fra den tilstand, hvor det blev leveret, i idriftsættelsestilstand (eller forbindelse til andre elementer til idriftsættelse).

"Tilsynsførende": Enkeltperson eller part, der er ansvarlig for styring og sikker brug af produktet, som er beskrevet i manualen.

"Tekniker": Kvalificeret person, der er fortrolig med produktet, med ansvar for vedligeholdelsesoperationer, som er beskrevet og tilladt i manualen.

"Operatør": Person, der bruger produktet i overensstemmelse med instruktionerne i denne manual.

"MR": Måleområde (fuld skala).

"SWL": Sikker arbejdsbelastning.

2.2. Piktogrammer



"FARE": Når det placeres i begyndelsen af et afsnit, angiver det instruktioner til forebyggelse af

skader, der spænder fra mindre til dødelige og også miljøskader.



"VIGTIGT": Når det placeres i begyndelsen af et afsnit, angiver det instruktioner til forebyggelse af produktsvigt eller skader, som ikke direkte vil bringe operatørens eller andre enkeltpersoners liv eller sundhed i fare og/eller som kan skade miljøet.



NB: Når det placeres i begyndelsen af et afsnit, angiver det de nødvendige forholdsregler for effektiv og ergonomisk installation, brug og vedligeholdelse.



Når det placeres på selve produktet eller en produktkomponent, indikerer det behovet for at læse drifts- og vedligeholdelsesmanualen.

3. Beskrivelse og mærkning

3.1. Præsentation

Dynafor™ Expert er præcisionskraftsensorer (0,1 % MR) til måling af kræfter og indikation af belastninger. Kapacitetsområdet er fra 0,5 t til 10 t.

Materialet leveres med batterier i en æske*, der indeholder:

- Dynafor™ Expert.
- Dens installations-, drifts- og vedligeholdelsesmanual.
- Dens justeringscertifikat.
- Dens CE-overensstemmelseserklæring.

Justeringscertifikat

Dette dokument er gyldigt i et år og certificerer, at sensoren er justeret ved hjælp af en intern Tractel®-procedure på en kalibreringsbænk med en standardføler iht. den internationale standard.

Ekstraudstyr: Kalibreringscertifikat ISO 376

Efter anmodning kan sensoren leveres med et ISO 376-kalibreringscertifikat.

Dette dokument, som er gyldigt i op til 26 måneder, certificerer, at produktet er kalibreret i overensstemmelse med ISO 376 på en kalibreringsbænk med en standardsensor iht. den internationale standard.

Den særlige patenterede form på fastgørelseshovedet gør det muligt at bruge konventionelle sjækler eller standardiseret kædetilbehør.

De teknologier, der er implementeret hvad angår radio og software tilbyder, ud over den forventede traditionelle anvendelse af et dynamometer, flere konfigurationsmuligheder, som kombinerer flere sensorer. De giver også adgang til avancerede

funktioner såsom optagelse, tærskelkontrol og overvågning.

Muligheden for et pc-link via en USB-port åbner dørene til håndtering og arkivering af data.

De forskellige mulige kombinationer er beskrevet i kapitel 4. Tilhørende udstyr.

3.2. Driftsprincip

Driftsprincippet for dynafor™ Expert er baseret på målingen ved hjælp af strækmålere af forlængelsen inden for den elastiske grænse af et metallegame, som bliver udsat for trækspænding.

Produktet kan betjenes i alle retninger.

3.3. Mærkninger

Se figur 1.

A	Fastgørelseshoved
B	Koblingsstift
C	B klips til fastholdelse af stift
D	Beskytter
E	Dæksel
F	On/Off-knap (start/stop)
G	Serienummer
H	Driftsindikator
I	Maksimal sensorkapacitet
J	Sjækkelmidterstykke
K	Fastgørelsesring
L	Dæksel fikseringskrue M
M	Batteridæksel
N	Batterirum (3 x "AA")
O	Producent
P	QR-kode, som fører til manualen for tracinfo-platform, tilpasningscertifikat og datablad

4. Tilhørende udstyr

Produktet er kompatibelt med følgende udstyr:

Løfteudstyr:

- Sjækkel
- Gaffelsjækkel
- Gaffelkrog

Dynafor™	Sjækkel	Gaffelsjækkel	Gaffelkrog
Expert 0,5t	47916	111407	111437
Expert 1t	47916	111407	111437
Expert 2t	47916	111407	111437
Expert 3,2t	47916	111407	111437
Expert 5t	47926	111417	111447
Expert 6,3t	47926	111417	111447
Expert 10t	47936	112207	112217

Der findes yderligere oplysninger om løfteudstyr i det tekniske datablad, illustration af sjækklerne i figur 2, gaffelsjækkler i figur 3 og gaffelkroge i figur 4.

Løfteudstyr, der ikke anbefales af Tractel® skal dimensioneres korrekt iht. gældende lokale regler.

Displayenheder:

- Dynafor™ HHD-fjerndisplayenheden leverer flere funktioner, herunder læsning og styring af fire sensorer op til en afstand på 400 m i det fri. Koder: 293609 når den købes samtidigt med en dynafor™ Expert- eller Pro-sensor
Kode: 293449 når den købes separat
- AL 128 stor displayenhed til stor synlighed, 128 mm høje tal med trådløs kommunikation op til 200 m i det fri.
Kode: 293489

Modul til styring af tærskelsikkerhed:

- dynafor™-overvågningsenhed (DMU), som giver de samme funktioner som dynafor™ HHD-fjerndisplayenhed og som kan kontrollere op til 5 relæer.
Kode: 293479

Software:

- Indlæsningssoftware til download af de data, der optages på dynafor™ HHD-fjerndisplayenhed til en computer.
Kode: 293509
- Overvågningssoftware gør det muligt at få belastningsværdier vist, optaget og analyseret live for op til otte sensorer. Kræver dynafor™ HHD-fjerndisplayenhed.
Kode: 68968
- dynafor™-app til visning af belastningsværdi for en sensor fra en smartphone eller tablet via Bluetooth op til 30 m i det fri. Tilgængelig for iOS og Android.

5. Anvendelsesområder



Den tilsynsførende skal sikre, at en tekniker får til opgave at installere produktet. Den tilsynsførende skal sikre, at operatøren har gennemgået denne installations-, drifts- og vedligeholdelsesmanual, inden vedkommende bruger produktet.

5.1. Installation af batterierne

De tre 1,5 V "AA"-batterier er fabriksinstalleret.

Fjern den isolerende flig, der stikker ud fra batterirummet, for at aktivere batterierne. For efterfølgende udskiftning af batterier, se afsnittet 7.1. Udskiftning af batterier.

5.2. Installation

Under installationen er det absolut nødvendigt at:

1. Sørge for, at lastlinjens ankerpunkt eller -punkter er tilstrækkeligt stærke til den kraft, der påføres.
2. Sørge for, at løfteudstyret i begge ender af produktet er kompatibelt og overholder gældende lokale regler.
3. Låse sjæklerne korrekt ved at skrue deres stift helt ind. Låse pæresjæklerne ved at kontrollere, at stifterne passer. Låse gaffelkrogsstiften korrekt med dens sikkerhedsstift. Sørge for, at krogen er sikret og er i god stand.
4. Lad produktet stå på linje med kraftlinjen.
5. Kontroller tilstedeværelsen og tilstanden af batterierne i sensoren.
6. Tilslut produktet til fjerndisplayenheden eller til en smartphone via Tractel-appen og til andre kompatible displayenheder, som defineret i afsnit 4. Tilhørende udstyr.
7. Sørg for, at der er en god radioforbindelse mellem sensoren og displayboksen.

Brug kun produktet med trækraft.

Produktet kan betjenes i alle retninger, herunder vandret.

Produktet fungerer tilfredsstillende i et temperaturinterval fra -20 °C til +50 °C. Ved anvendelse ud over disse temperaturer skal produktet have termisk beskyttelse.

5.3. Opstart af sensoren

Tænd altid for sensoren, før du tænder for fjerndisplayenheden. I modsat fald kan fjerndisplayenheden ikke etablere radioforbindelse.

En lysimpuls på start-/stopknappen, som sidder midt på membranen, aktiverer ON-/OFF-afbryderen. (Se figur 5, stk. F.)

Når der tændes for strømmen, begynder de to røde LED'er at blinke samtidigt.

5.4. Funktioner

5.4.1. Drift i grundlæggende konfiguration

Grundlæggende konfiguration består i at anvende et sæt med en enkelt sensor og en

enkelt fjerndisplayenhed, og/eller en enkelt sensor og en smartphone udstyret med dynafor™-appen. Dette sæt måler og viser kraften ved sensoren.

5.4.2. Automatisk nulstilling

Når der tændes for dynafor™ Expert, viser det tilknyttede display "0", forudsat at den målte kraft er mindre end 10 % af produktets SWL.

5.4.3. Information tilvejebragt af sensor-LED'en

Sensor-driftsTILSTAND	Sensor-LED blinker	Målinger pr. sekunder	Batterilevetid
Stop	Slukket	-	-
Standard	1 blink pr. sekund	4 pr. sekund	300 timer
Spare-*	1 blink hvert 4. sekund	1 hvert 4. sekund	1.000 timer
Dvale	1 blink hvert 8. sekund	-	3.000 timer
Spidsbelastning	2 blink pr. sekund	32 pr. sekund	100 timer
Lavt batteriniveau.	Identisk med separate tilstande, men én LED på samme tid.		-

*Standardfabriksindstillingen er at skifte automatisk til sparetilstand, hvis der ikke er nogen belastningsvariation (10 % af SWL) i 5 minutter. Denne sparetilstand kan justeres. Se manualen for fjerndisplayenhed til dynafor™ HHD.

5.4.4. Betjening i multikonfiguration og udvidet konfiguration



NB: Få flere oplysninger i manualerne for tilhørende udstyr i afsnit 4. Tilhørende udstyr.

Multikonfiguration består i at forbinde op til fire sensorer og én eller flere displayenheder. Sensorerne kan have forskellig kapacitet. (For mere end fire sensorer kræves der PC-forbindelse).

For nogle applikationer er det nyttigt at vise målingerne fra flere sensorer på en enkelt dynafor™ HDD-fjerndisplayenhed.

Eksempel: Løft af en last med en sprederstang, der er ophængt i to spil, hver udstyret med en sensor. Gruppering af de to kraftmålinger på en enkelt dynafor™ HDD-fjerndisplayenhed giver operatøren mulighed for at se de to kræfter og deres samlede værdi og kontrollere, at belastningen er korrekt fordelt mellem de to spil.

Kontakt Tractel® vedrørende yderligere oplysninger om multi-konfigurationer

5.5. Sluk produktet

For at slukke produktet skal du trykke på og holde start-/stop-knappen nede i 2 sekunder uden at trykke for hårdt.

Hvis det ikke er nogen belastningsvariation, går produktet automatisk i dvale efter 20 minutter. Denne automatiske dvale bevarer sensorbatterierne.

Sensoren tændes automatisk igen, når der tilsluttes en displayenhed igen.

Den automatiske dvale kan justeres. Se manualen for fjerndisplayenhed til dynafor™ HDD.

5.6. Afinstallation

Når du afinstallerer produktet, skal du sørge for, at alle trækkræfter er fjernet på forhånd.

Rengør produktet og opbevar det iht. afsnittene 7.2. Andre verifikationer og 8. Transport og opbevaring.

6. Forbudte anvendelsesområder

Se figur 7.

FØLGENDE ER FORBUDT:

- Brug af produktet i et køresystem uden først at udføre en specifik risikoanalyse.
- Ændring af produktet.
- Brug af produktet ud over dets SWL med statiske eller dynamiske kræfter.
- Svejsning med produktet som en del af jordforbindelsen.
- Udsættelse af produktet for ethvert elektrisk og/eller elektromagnetisk stød.
- Demontering eller åbning af produktet.
- Brug af produktet til andre handlinger end dem, der er beskrevet i denne manual.
- Brug af produktet, hvis der er risiko for, at det kan udsættes for tryk, bøjning eller vridning.

- Forhindring af produktet i at blive justeret i kraftlinjen.
- Brug af produktet i et meget ætsende miljø.
- Brug af produktet i et eksplosivt miljø.
- Brug af produktet uden for temperaturområdet -20 °C til 50 °C.
- Brug af produktet, hvis det har været udsat for en kraft over 110 % af dets SWL.
- Brug af produktet, hvis det ikke ser ud til at være i god stand.
- Brug af produktet, hvis mærkaterne mangler eller ikke er læsbare.
- Brug af produktet sammen med tilbehør af rustfrit stål.

7. Vedligeholdelse og periodisk verifikation

7.1. Udskiftning af batterier

LED'erne i midten af sensorens start-/stopknap blinker én efter én, når batterierne er tømt.

Der vises også en advarselsmeddelelse på fjerndisplayenheden. De skal udskiftes.

- Fjern batteridækslet ved hjælp af en stjerneskruetrækker.
- Udskift de tre "AA" 1,5 V-batterier med nye, og vær opmærksom på polariteterne.
- Sæt dækslet på batterirummet igen, og stram fastgørelsesskruerne, så dækslet flugter med kanten af batterirummet.

7.2. Andre verifikationer

Tractel® anbefaler regelmæssigt at inspicere produktets synlige tilstand og rengøre sensoren regelmæssigt med en tør klud.

Tractel® anbefaler også en årlig genkalibrering (for justering, se afsnit 3.1 Præsentation), inden det gyldige certifikat udløber.

Tractel® kan levere disse tjenester efter anmodning.

8. Transport og opbevaring

Under opbevaring og/eller transport skal produktet:

- Være pakket i originalemballagen med afmonterede batterier
- Opbevares tørt
- Opbevares ved en temperatur mellem -20 °C og 60 °C
- Beskyttes mod kemiske, mekaniske eller andre former for angreb.

9. Produktbortskaffelse og miljøbeskyttelse

Produktet skal bortskaffes i overensstemmelse med gældende regler i anvendelseslandet.

Produktet overholder kravene i REACH-forordningen og RoHS-direktivet; det er ikke omfattet af WEEE-direktivet.

De forskellige produktkomponenter skal genbruges på baggrund af nedenstående tabel efter adskillelse af metal og syntetiske materialer. Disse materialer skal genbruges af specialiserede organisationer.

På bortskaffelsestidspunktet er det kun uddannede personer, der må demontere produktet for at adskille dets komponenter.

Komponent	Skal behandles som affald af typen
Produktets krop	Aluminium og støbejern
Elektronisk hus (plast)	Almindeligt affald
Printkort og skærm	Elektronik
Batterier	Akkumulator

10. Tekniske specifikationer

Funktioner i dynafor™ Expert-serien

Model	Enhed	Expert 0.5	Expert 1	Expert 2	Expert 3.2	Expert 5	Expert 6.3	Expert 10
SWL	t	0,5	1	2	3,2	5	6,3	10
Sikkerhedskoefficient		> 4						
Nøjagtighed	+/- %	0,1 % EM ved 21 °C						
	+/- kg	0,5	1	2	3,2	5	6,3	10
Opløsning	kg	0,1	0,2	0,5	0,5	1	1	2
Målefrekvens	Hz	4 Hz - 32 Hz i spidsbelastningstilstand – 1 Hz i sparetilstand						
Maks. visning	%	110 % af SWL						
Batterilevetid	t	300 til 1000						
RF-teknologi (radiofrekvens)		2,4 GHz - 2,4835 GHz ejer, interval op til 400 m i det fri						
RF-radio power-output	dBm	9,5						
Bluetooth-teknologi		BLE 4,0 (2,4 GHz - 2,4835 GHz), interval op til 30 m i det fri						
BLE-radio power-output	dBm	7,71						
Vægt	kg	2,3	2,3	2,3	2,3	3,35	3,35	6,45
IP-bedømmelse		IP 64 (IP 67 som ekstraudstyr)						
Driftstemperatur	°C	-20 °C til +50 °C						
Sensormateriale		Aluminium						Stål
Materiale på hoveder		Stål						
Batterier		3 x AA						
Mål (se figur 6)								
A	mm	248	248	248	248	290	290	341
B		224	224	224	224	254	254	296
C		Ø20	Ø20	Ø20	Ø20	Ø28	Ø28	Ø40
D		10	10	10	10	16	16	20
E		24	24	24	24	35	35	54
F		80	80	80	80	80	80	80
G		100	100	100	100	100	100	100

11. Regler og standarder

Produktet beskrevet i denne manual overholder følgende:

Europæiske standarder

Maskindirektivet 2006/42/EF
RED-direktiv: 2014/53/EF

Reference til radiostandarder
EN300440 V2.1.1
EN300328 V2.2.2
ETSI 203367 V1.1.0

Reference til sundhedsstandarder
EN62479 (2010)

Reference til EMC-standarder
EN61326-1 (2013)
EN301 489- 1 og 17

Reference til elsikkerhedsstandarder
IEC/EN61010-1 (ændring 1 vers. 3)

Internationale standarder

IEC 61326-1 vers. 2: 2012
IEC 61311: 2007

Amerikanske og canadiske standarder

Reference til radiostandarder
FCC afsnit 15
RSS-GEN og RSS-210

Reference til EMC-standarder
FCC afsnit 15
ICES-003

NB: Dette udstyr er blevet testet og fundet i overensstemmelse med grænserne for en Klasse A digital enhed iht. afsnit 15 i FCC-reglerne. Disse grænser er designet til at give rimelig beskyttelse mod skadelig interferens, når udstyret bruges i boligmiljøer. Dette udstyr genererer, anvender og kan udstråle radiobølger, og hvis det ikke installeres og bruges i overensstemmelse med brugsanvisningen, kan det forårsage skadelig interferens på radiokommunikation. Hvis dette udstyr betjenes i boligområder, kan det forårsage skadelig interferens, og brugeren skal således eliminere interferensen for sin egen regning.

NB: Dette produkt overholder Industry Canadas RSS gældende for radioapparater, der er fritaget for licens. Udstyret må betjenes under følgende to betingelser: (1) Det må ikke forårsage nogen interferens, og (2) brugeren af enheden skal være indstillet på at acceptere eventuel modtaget radiofrekvens, også selv om sådan interferens kan påvirke driften af enheden.

I overensstemmelse med Industry Canadas regler kan denne sender betjenes med en antenne af en type og maksimal forstærkning (eller mindre), som er godkendt for senderen af Industry Canada.

For at reducere risikoen for radiointerferens for andre brugere skal antenntypen og dens forstærkning vælges, så den tilsvarende isotrope udstrålede effekt (e.i.r.p.) ikke overstiger den nødvendige intensitet for at etablere tilfredsstillende kommunikation.

DK

12. Fejlfinding

Problemer	Mulige årsager	Løsninger
Sensoren tændes ikke	Batterierne er tomme.	Udskift batterierne.
	Defekt elektronik.	Kontakt Tractel®
Sensor-LED blinker ved 4 Hz (4 gange pr. sekund)	Ingen kommunikation mellem sensoren og den printplade.	Kontakt Tractel®

Se manualen vedrørende eventuelle andre problemer i forbindelse med fjerndisplayenheden.

13. Overensstemmelseserklæring

Kopi af overensstemmelseserklæringen i tillægget

Spis treści

1. Główna instrukcja	48
2. Definicje i piktogramy	49
2.1. Definicje	49
2.2. Piktogramy	49
3. Opis i oznaczenia	49
3.1. Prezentacja	49
3.2. Zasada działania	50
3.3. Oznaczenia	50
4. Sprzęt powiązany	50
5. Wykorzystanie	51
5.1. Instalowanie baterii	51
5.2. Montaż	51
5.3. Uruchamianie czujnika	51
5.4. Funkcje	51
5.4.1. Praca w konfiguracji podstawowej	51
5.4.2. Automatyczne zerowanie	51
5.4.3. Informacje przekazywane przez diodę LED czujnika	51
5.4.4. Praca w wielokrotnej i rozszerzonej konfiguracji	52
5.5. Wyłączenie produktu	52
5.6. Demontaż	52
6. Zakazane stosowanie	52
7. Konserwacja i okresowa weryfikacja	52
7.1. Wymiana baterii	52
7.2. Inne weryfikacje	53
8. Transport i przechowywanie	53
9. Utylizacja i ochrona środowiska	53
10. Specyfikacje techniczne	54
11. Przepisy i normy	54
12. Rozwiązywanie problemów	55
13. Deklaracja zgodności	55

1. Główna instrukcja

1. Przed zainstalowaniem tego produktu należy zapoznać się z niniejszą instrukcją i wykonać zawarte w niej polecenia dotyczące bezpiecznego i efektywnego użytkowania. Egzemplarz niniejszej instrukcji należy udostępnić wszystkim operatorom. Dodatkowe egzemplarze można uzyskać zwracając się do firmy Tractel®.
2. Nie należy używać tego produktu, jeśli którekolwiek etykiety lub dowolne oznaczenia znajdujące się na nim lub na jego akcesoriach, widoczne na końcu lub pod rącznika, nie są czytelne lub są niewidoczne. Identyczne etykiety można uzyskać zwracając się do firmy Tractel® i należy nałożyć je przed dalszym użytkowaniem produktu.
3. Należy zapewnić, aby każdy użytkownik tego produktu znał zasady jego pracy i spełniał wymagania bezpieczeństwa związane z danym zadaniem do wykonania. Egzemplarz niniejszej instrukcji należy udostępnić wszystkim takim użytkownikom. Sprzęt należy chronić przed nieupoważnionymi manipulacjami.
4. Produkt należy zainstalować i uruchomić w warunkach zapewniających bezpieczeństwo instalatora zgodnie z obowiązującymi przepisami miejscowymi.
5. Przed każdym użyciem produktu, należy sprawdzić jego stan i wszelkich akcesoriów. Nie należy używać produktu, jeśli jego stan wydaje się niewłaściwy.
6. W przypadku wszelkich widocznych problemów lub problemów przy pracy, niezwiązanych ze stanem baterii, produkt należy zwrócić do serwisu producenta.
7. Należy chronić produkt przed uderzeniami.
8. Produktu nie należy wykorzystywać w celach innych niż opisano w niniejszej instrukcji. Nie należy stosować go do obciążeń przewyższających bezpieczny poziom obciążenia roboczego wskazany na produkcie. Nie należy używać go w atmosferze wybuchowej.
9. Zanim produkt ten zostanie wykorzystany w systemie do przewożenia ludzi, kierownik musi zweryfikować zastosowanie współczynników użytkowania na potrzeby bezpieczeństwa pracowników, oraz ogólną zgodność z przepisami bezpieczeństwa obowiązującymi dla stosowanej liny ładunkowej.
10. Firma Tractel® nie ponosi odpowiedzialności za korzystanie z produktu w konfiguracji montażu, która nie została podana w niniejszej instrukcji.
11. Wszelkie zmiany produktu wprowadzone bez zgody firmy Tractel® lub usunięcie dowolnej części spowodują zwolnienie firmy Tractel® z wszelkiej odpowiedzialności.

12. Każdy przypadek demontażu tego produktu, który nie został opisany w niniejszej instrukcji, lub naprawy niezatwierdzone przez firmę Tractel® spowodują zwolnienie firmy Tractel® z wszelkiej odpowiedzialności, w szczególności wtedy, gdy części oryginalne zostaną zastąpione częściami z innego źródła.
13. Dynamometr dynafor™ to urządzenie do podnoszenia i należy przestrzegać przepisów bezpieczeństwa obowiązujących dla tej kategorii urządzeń.
14. Po wycofaniu produktu z eksploatacji należy go zezłomować w taki sposób, aby nie dało się go ponownie wykorzystać. Należy przestrzegać przepisów o ochronie środowiska.
15. Niniejszy produkt został zatwierdzony zgodnie z przepisami europejskimi i normami określonymi w ustępie „11. Przepisy i normy” i musi zostać zweryfikowany pod kątem zgodności z przepisami w każdym innym kraju, w którym może być użytkowany, przed jego uruchomieniem i użytkowaniem. Należy przestrzegać takich przepisów.
16. Każde wykorzystanie tego produktu z dodatkowym sprzętem przekazującym jego sygnały do systemu operacyjnego musi być poprzedzone analizą ryzyka związanego z wykorzystywanymi funkcjami operacyjnymi i należy podjąć wszelkie stosowne środki bezpieczeństwa w tym zakresie.

2. Definicje i piktogramy

2.1. Definicje

W niniejszej instrukcji następujące wyrażenia będą mieć następujące znaczenia:

„**Produkt**”: Przedmiot lub sprzęt opisane w niniejszej instrukcji i dostarczone w stanie kompletnym w wersji standardowej lub w formie innych modeli.

„**Montaż**”: Wszystkie czynności wymagane do przeprowadzenia kompletnego produktu od stanu, w którym został dostarczony, do rozruchu (lub podłączenia do innych elementów do rozruchu).

„**Kierownik**”: Osoba odpowiedzialna za zarządzanie i bezpieczne użytkowanie produktu opisanego w niniejszej instrukcji.

„**Technik**”: Wykwalifikowana osoba znająca produkt, odpowiadająca za przeprowadzanie opisanych w tej instrukcji prac konserwacyjnych.

„**Operator**”: Osoba używająca produktu zgodnie z niniejszą instrukcją.

„**MR**”: Zakres pomiarowy (pełna skala).

„**SWL**”: Dopuszczalne obciążenie robocze.

2.2. Piktogramy



„**NIEBEZPIECZEŃSTWO**”: Umieszczony na początku akapitu, wyraz ten dotyczy poleceń mających na celu zapobieganie obrażeniom, od niewielkich po śmiertelne, oraz zapobieganie zanieczyszczeniu środowiska.



„**WAŻNE**”: Umieszczony na początku akapitu, wyraz ten dotyczy poleceń mających na celu zapobieganie awariom i uszkodzeniom produktu, które mogłyby bezpośrednio zagrozić życiu lub zdrowiu operatorów lub innych osób i/lub które mogłyby doprowadzić do zanieczyszczenia środowiska.



UWAGA: Umieszczony na początku akapitu, wyraz ten dotyczy niezbędnych zabezpieczeń na potrzeby efektywnego i ergonomicznego montażu, użytkowania i konserwacji.



i: Na produkcie lub elemencie produktu oznacza potrzebę zapoznania się z instrukcją użytkowania i obsługi technicznej.

3. Opis i oznaczenia

3.1. Prezentacja

Dynafor™ Expert to precyzyjne czujniki siły (0,1% MR) do mierzenia sił i obciążeń. Ich zakres wynosi od 0,5 do 10 t.

Materiał jest dostarczany z bateriami w walizce*, która zawiera:

- dynafor™ Expert.
- Instrukcję montażu, obsługi i konserwacji.
- Świadectwo regulacji.
- Deklarację zgodności WE.

Świadectwo regulacji

Niniejszy dokument obowiązuje przez rok i stanowi zaświadczenie, że czujnik został wyregulowany zgodnie z wewnętrzną procedurą firmy Tractel® na stanowisku kalibracyjnym ze standardowym czujnikiem i zgodnie z normą międzynarodową.

Opcja: Świadectwo kalibracji ISO 376

Na życzenie wraz z czujnikiem możemy dostarczyć świadectwo kalibracji ISO 376.

Ten dokument obowiązuje przez 26 miesięcy i potwierdza, że produkt został skalibrowany zgodnie z normą ISO 376 na stanowisku kalibracyjnym ze standardowym czujnikiem i zgodnie z normą międzynarodową.

Specjalny, opatentowany kształt głowic mocujących umożliwia stosowanie konwencjonalnych szekli lub standardowych łańcuchów.

Technologie zastosowane na poziomie radio i oprogramowania oferują, poza tradycyjnymi funkcjami, jakich oczekuje się od sitomierza, wiele możliwości konfiguracji, łączących wiele czujników. Ponadto zapewniają dostęp do zaawansowanych funkcji, takich jak rejestrowanie, zarządzanie wartościami progowymi i monitorowanie.

Możliwość podłączenia do komputera PC poprzez port USB umożliwia zarządzanie danymi i archiwizowanie ich.

Różne możliwe kombinacje opisane są w rozdziale 4. Sprzęt powiązany.

3.2. Zasada działania

Zasada działania urządzenia dynafor™ Expert opiera się na pomiarze wydłużenia poddanego rozciąganiu metalowego przedmiotu za pomocą czujników tensometrycznych w granicach elastyczności.

Produkt działa we wszystkich kierunkach.

3.3. Oznaczenia

Patrz rys. 1.

A	Głowica mocująca
B	Sworzeń sprzęgający
C	Zaciski utrzymujące sworzeń B
D	Ochroniacz
E	Oslona
F	Przycisk wł./wyt. (rozruch/zatrzymanie)
G	Numer seryjny
H	Wskaźnik pracy
I	Maksymalna wydajność czujnika
J	Element wyśrodkowujący szekle
K	Pierścień mocujący
L	Śruba pokrywy M
M	Oslona komory baterii
N	Komora baterii (3 x „AA”)
O	Producent
P	Kod QR kierujący do platformy tracinfo, na której dostępna jest instrukcja, świadectwo regulacji i karta charakterystyki

4. Sprzęt powiązany

Produkt jest kompatybilny z następującym sprzętem:

Akcesoria do podnoszenia:

- Szekla okrągła
- Szekla sworzniowa
- Hak sworzniowy

Dynafor™	Szekla okrągła	Szekla sworzniowa	Hak sworzniowy
Expert 0,5 t	47916	111407	111437
Expert 1 t	47916	111407	111437
Expert 2 t	47916	111407	111437
Expert 3,2 t	47916	111407	111437
Expert 5 t	47926	111417	111447
Expert 6,3 t	47926	111417	111447
Expert 10 t	47936	112207	112217

Szczegółowe informacje na temat akcesoriów do podnoszenia znajdują się na kartach charakterystyki, a także na ilustracjach szekli okrągłych (rys. 2), szekli sworzniowych (rys. 3) i haków sworzniowych (rys. 4).

Akcesoria do podnoszenia niezalecane przez firmę Tractel® należy odpowiednio zwymiarować zgodnie z obowiązującymi przepisami lokalnymi.

Urządzenia wyświetlania:

- Zdalna jednostka wyświetlania dynafor™ HHD oferuje wiele funkcji, w tym odczyt i zarządzanie 4 czujnikami na odległość do 400 m na otwartym powietrzu.
Kody: 293609 przy jednoczesnym zakupie z urządzeniem dynafor™ Expert lub czujnikiem Pro
Kod: 293449 w przypadku zakupu oddzielnie
- Duża jednostka wyświetlania AL128, zwiększająca widoczność, z cyframi o wysokości 128 mm i bezprzewodową komunikacją na otwartym powietrzu na odległość do 200 m.
Kod: 293489

Moduł zarządzania programami bezpieczeństwa:

- Jednostka monitorująca dynafor™ (DMU), oferująca takie same funkcje, co zdalna jednostka wyświetlania dynafor™ HHD, i umożliwiająca sterowanie maksymalnie 5 przekaźnikami.
Kod: 293479

Oprogramowanie:

- Oprogramowanie ładujące do pobierania danych zarejestrowanych za pomocą zdalnej jednostki wyświetlania dynafor™ HHD na komputer.
Kod: 293509
- Oprogramowanie monitorujące, umożliwiające wyświetlanie, rejestrowanie i analizowanie na żywo wartości obciążenia z maksymalnie 8 czujników.

Wymaga zdalnej jednostki wyświetlania dynafor™ HDD.

Kod: 68968

- Aplikacja dynafor™ do wyświetlania wartości obciążenia z czujnika na smartfonie lub tablecie poprzez Bluetooth na odległość do 30 m na otwartym powietrzu. Dostępna dla systemów iOS i Android.

5. Wykorzystanie



Kierownik musi zlecić instalację niniejszego produktu technikowi. Kierownik musi zapewnić, że operator zapoznał się z niniejszą instrukcją montażu, obsługi i konserwacji przed użyciem produktu.

5.1. Instalowanie baterii

Fabrycznie zainstalowane są trzy baterie 1,5 V „AA”.

Należy wyciągnąć kłapkę wystającą z komory baterii, aby je aktywować. Aby uzyskać więcej informacji na temat wymiany baterii, patrz ust.7.1. Wymiana baterii.

5.2. Montaż

Podczas montażu należy:

1. Upewnić się, że punkt lub punkty zaczepienia liny ładunkowej są wystarczające dla siły, która zostanie zastosowana.
2. Upewnić się, że akcesoria do podnoszenia na obu końcach produktu są kompatybilne i zgodne z obowiązującymi przepisami lokalnymi.
3. Poprawnie zablokować klamry poprzez całkowite dokręcenie kołka. Prawidłowo zablokować szkiełko gruszkowe poprzez sprawdzenie, czy sworznie są odpowiednio zamocowane. Prawidłowo zablokować bolec haka sworzniowego za pomocą jego kołka zabezpieczającego. Upewnić się, że zapadka zabezpieczająca hak jest obecna i znajduje się w dobrym stanie technicznym.
4. Pozwolić, aby produkt ułożył się swobodnie zgodnie z linią działania siły.
5. Sprawdzić obecność i stan baterii w czujniku.
6. Połączyć produkt ze zdalną jednostką wyświetlania lub ze smartfonem poprzez aplikację Tractel i z innymi kompatybilnymi urządzeniami wyświetlania, określonymi w ustępie 4. Sprzęt powiązany.
7. Upewnić się, że nawiązana została dobra łączność radiowa pomiędzy czujnikiem i skrzynią wyświetlacza.

Produktu należy używać stosując wyłącznie siłę rozciągającą.

Produktu można używać we wszystkich kierunkach, w tym poziomo.

Produkt może pracować w zakresie temperatur od -20°C do +50°C. Aby stosować go poza tym zakresem, należy najpierw zabezpieczyć go termicznie.

5.3. Uruchamianie czujnika

Czujnik należy zawsze włączyć przed uruchomieniem zdalnej jednostki wyświetlania – w przeciwnym wypadku zdalna jednostka wyświetlania nie będzie mogła nawiązać połączenia radiowego.

Impuls świetlny przycisku rozruchu/zatrzymania, znajdującego się na środku membrany, aktywuje przełącznik wł./wył. (Patrz rys. 5, pozycja F).

Po włączeniu zasilania dwie diody LED zaczną jednocześnie migać.

5.4. Funkcje

5.4.1. Praca w konfiguracji podstawowej

Podstawową konfiguracją jest zestaw składający się z jednego czujnika i

jednej zdalnej jednostki wyświetlania i/lub jednego czujnika i smartfona z aplikacją dynafor™. Taki zestaw mierzy i wyświetla siłę przy czujniku.

5.4.2. Automatyczne zerowanie

Gdy urządzenie dynafor™ Expert włączy się, powiązana jednostka wyświetlania będzie wskazywać „0” pod warunkiem, że mierzona siła jest niższa niż 10% dopuszczalnego obciążenia roboczego (SWL) produktu.

5.4.3. Informacje przekazywane przez diodę LED czujnika

TRYB pracy czujnika	Miganie diody LED czujnika	Pomiary na sekundę	Żywotność baterii
Stop	Wył.	-	-
Standardowo	1 mignięcie na sekundę	4 na sekundę	300 godz.
Praca ekonomiczna*	1 mignięcie na 4 sekundy	1 na 4 sekundy	1 000 godz.
Uśpienie	1 mignięcie na 8 sekund	-	3 000 godz.
Obciążenie szczytowe	2 mignięcia na sekundę	32 na sekundę	100 godz.
Niski poziom baterii.	Takie same, jak w oddzielnych trybach, ale jedna dioda LED jednocześnie		-

*Domyślne ustawienie fabrycznie zakłada automatyczne przełączanie na tryb ekonomiczny, gdy nie występują wahania obciążenia (10% SWL) przez 5 minut. Ten tryb ekonomiczny może być regulowany. Patrz instrukcja obsługi zdalnej jednostki wyświetlania dynafor™ HDD.

5.4.4. Praca w wielokrotnej i rozszerzonej konfiguracji



UWAGA: Dodatkowe informacje znajdują się w instrukcjach powiązanego sprzętu, określonych w ustępie 4. Sprzęt powiązany.

Wielokrotna konfiguracja polega na podłączeniu do czterech czujników i co najmniej jednego urządzenia wyświetlającego. Czujniki mają różną wydajność. (Aby podłączyć więcej niż cztery czujniki, konieczne jest podłączenie do komputera PC).

W przypadku niektórych zastosowań przydatne jest wyświetlenie pomiarów z kilku czujników na jednej zdalnej jednostce wyświetlania dynafor™ HHD.

Przykład: Podnoszenie ciężaru za pomocą trawersy zawieszanej na dwóch wciągarkach – obu wyposażonych w czujnik. Zgrupowanie dwóch pomiarów siły na jednej zdalnej jednostce wyświetlania dynafor™ HHD umożliwia operatorowi wyświetlenie dwóch sił i ich łącznej wartości, a także sprawdzenie, czy obciążenie jest równomiernie rozłożone na obie wciągarki.

Aby uzyskać dodatkowe informacje dotyczące wielokrotnych konfiguracji, należy skontaktować się z firmą Tractel®

5.5. Wyłączenie produktu

Aby wyłączyć produkt, należy wcisnąć i przytrzymać przycisk rozruchu/zatrzymania przez 2 sekundy bez dociskania go zbyt mocno.

W przypadku braku zmian obciążenia produkt automatycznie przejdzie w tryb uśpienia po 20 minutach. Tryb uśpienia oszczędza baterie czujnika.

Czujnik ponownie włączy się automatycznie po ponownym podłączeniu urządzenia wyświetlającego.

Funkcję automatycznego przełączania w tryb uśpienia można dostosować. Patrz instrukcja obsługi zdalnej jednostki wyświetlania dynafor™ HHD.

5.6. Demontaż

Przed rozpoczęciem demontażu produktu należy usunąć wszystkie siły rozciągające.

Należy wyczyścić produkt i przechowywać go zgodnie z ustępami 7.2. Inne weryfikacje i 8. Transport i przechowywanie.

6. Zakazane stosowanie

Patrz rys. 7.

ZAKAZUJE SIĘ:

- Wykorzystywania produktu na urządzeniach do transportu ludzi bez przeprowadzania analizy ryzyka.
- Modyfikowania produktu.
- Używania produktu ponad dopuszczalne obciążenie robocze w zakresie sił statycznych i dynamicznych.
- Spawania łukowego produktu w uziemionym obwodzie.
- Wystawiania produktu na wstrząsy elektryczne i/lub elektromagnetyczne.
- Demontażu lub otwierania produktu.
- Wykorzystywania produktu w celach innych niż opisano w niniejszej instrukcji.
- Używania produktu, jeśli istnieje ryzyko, że zostanie poddane ściskaniu, zginaniu lub skręcaniu.
- Uniemożliwiania swobodnego ułożenia się produktu zgodnie z linią działania siły.
- Wykorzystywania produktu w środowisku wysoce korozyjnym.
- Wykorzystywania produktu w środowisku wybuchowym.
- Korzystania z produktu poza zakresem temperatur od -20°C do 50°C.
- Korzystania z produktu, który został poddany działaniu siły przekraczającej 110% dopuszczalnego obciążenia roboczego.
- Używania produktu, gdy ten nie jest w dobrym stanie technicznym.
- Używania produktu, gdy oznaczenia są nieobecne lub nieczytelne.
- Używania produktu wraz z akcesoriami ze stali nierdzewnej.

7. Konserwacja i okresowa weryfikacja

7.1. Wymiana baterii

Diody LED znajdujące się na przycisku rozruchu/zatrzymania czujnika zaczną migać jedna po drugiej w miarę wyczerpywania się baterii.

Ponadto na zdalnej jednostce wyświetlania pojawi się komunikat ostrzegawczy. W takim przypadku należy je wymienić.

- Należy usunąć pokrywę komory baterii za pomocą śrubokręta krzyżakowego.
- Wymienić dwie baterie „AA” 1,5 V na nowe, zwracając uwagę na bieguny.
- Założyć z powrotem osłonę komory baterii i dokręcić śruby tak, aby osłona ściśle przylegała do komory.

7.2. Inne weryfikacje

Firma Tractel® zaleca przeprowadzanie okresowych kontroli wzrokowych produktu oraz regularne czyszczenie czujnika za pomocą suchej szmatki.

Firma Tractel® zaleca również, aby raz do roku przeprowadzać ponowną kalibrację (nastawianie – patrz ust. 3.1. Prezentacja) przed wygaśnięciem ważnego świadectwa.

Firma Tractel® świadczy takie usługi na żądanie.

8. Transport i przechowywanie

Podczas przechowywania i/lub transportu produkt należy:

- Zapakować w oryginalne opakowanie, z wyjętymi bateriami
- Przechowywać w suchym miejscu
- Przechowywać w temperaturze od -20°C do 60°C
- Chronić przed uszkodzeniami chemicznymi, mechanicznymi itp.

9. Utylizacja i ochrona środowiska

Produkt należy utylizować zgodnie z przepisami obowiązującymi w kraju użytkowania.

Produkt spełnia wymagania rozporządzenia REACH oraz dyrektywy RoHS; nie podlega dyrektywie WEEE.

Poszczególne komponenty produktu należy poddać recyklingowi zgodnie z poniższą tabelą, po rozdzieleniu materiałów metalowych od plastikowych. Materiały te muszą zostać poddane recyklingowi przez specjalistyczne podmioty.

Podczas utylizacji, demontaż produktu na poszczególne komponenty mogą przeprowadzać wyłącznie osoby do tego przeszkolone.

Komponent	Typ odpadów
Korpus produktu	Aluminium i żeliwo
Obudowa elektroniczna (plastikowa)	Żwycyjne odpady
Płytki obwodów drukowanych i wyświetlacz	Elektronika
Baterie	Akumulator

10. Specyfikacje techniczne

Funkcje produktów dynafor™ Expert

Model	Jednostka	Expert 0.5	Expert 1	Expert 2	Expert 3.2	Expert 5	Expert 6.3	Expert 10
Dopuszczalne obciążenie robocze (SWL)	t	0,5	1	2	3,2	5	6,3	10
Współczynnik bezpieczeństwa		>4						
Dokładność	+/- %	0,1% EM przy 21°C						
	+/- kg	0,5	1	2	3,2	5	6,3	10
Rozdzielczość	kg	0,1	0,2	0,5	0,5	1	1	2
Częstotliwość pomiarów	Hz	4 Hz – 32 Hz w trybie obciążenia szczytowego – 1 Hz w trybie ekonomicznym						
Maksymalna wartość wyświetlana	%	110% dopuszczalnego obciążenia roboczego (SWL)						
Żywotność baterii	godz.	300 do 1000						
Technologia RF (częstotliwość radiowa)		2,4 GHz – 2,4835 GHz własna, zasięg do 400 m na otwartym powietrzu						
Moc wyjściowa częstotliwości fal radiowych RF	dBm	9,5						
Technologia Bluetooth		BLE 4.0 (2,4 GHz – 2,4835 GHz), zasięg do 30 m na otwartym powietrzu						
Moc wyjściowa częstotliwości fal radiowych BLE	dBm	7,71						
Waga	kg	2,3	2,3	2,3	2,3	3,35	3,35	6,45
Stopień ochrony		IP 64 (opcjonalnie IP 67)						
Temperatura robocza	°C	od -20°C do +50°C						
Materiał czujnika		Aluminium						Stal
Materiał głowic		Stal						
Baterie		3x AA						
Wymiary (patrz rys. 6)								
A	mm	248	248	248	248	290	290	341
B		224	224	224	224	254	254	296
C		Ø20	Ø20	Ø20	Ø20	Ø28	Ø28	Ø40
D		10	10	10	10	16	16	20
E		24	24	24	24	35	35	54
F		80	80	80	80	80	80	80
G		100	100	100	100	100	100	100

11. Przepisy i normy

Produkt opisany w niniejszej instrukcji spełnia:

Normy europejskie

Dyrektywa Maszynowa 2006/42/WE
Dyrektywa RED: 2014/53/UE

Numery referencyjne norm radiowych
EN300440 V2.1.1
EN300328 V2.2.2
ETSI 203367 V1.1.0

Numer referencyjny normy zdrowotnej
EN62479 (2010)

Numer referencyjny norm EMC
EN61326-1 (2013)
EN301 489-1 i 17

Numer referencyjny norm bezpieczeństwa elektrycznego
IEC/EN61010-1 (zmiana 1, wyd. 3)

Normy międzynarodowe

IEC 61326-1 wyd. 2: 2012
IEC 61311: 2007

Normy w Stanach Zjednoczonych i Kanadzie

Numery referencyjne norm radiowych
FFC ustęp 15
RSS-GEN i RSS-210

Numer referencyjny norm EMC
FFC ustęp 15
ICES-003

UWAGA: Niniejszy sprzęt został przetestowany i stwierdzono jego zgodność z wartościami granicznymi dla urządzeń cyfrowych klasy A zgodnie z ustępem 15 przepisów FCC. Granice te zostały określone w celu zapewnienia odpowiedniej ochrony przed szkodliwą interferencją, gdy sprzęt stosowany jest w środowisku komercyjnym. Sprzęt ten generuje, wykorzystuje i emituje fale radiowe i gdy nie jest instalowany i stosowany zgodnie z instrukcją obsługi, może zakłócać komunikację radiową. Obsługa tego sprzętu w obszarach mieszkalnych może powodować zakłócenia, które użytkownik będzie musiał wyeliminować we własnym zakresie i na własny koszt.

UWAGA: Niniejszy produkt spełnia wymagania normy Industry Canada RSS, dotyczącej sprzętu

radiowego niewymagającego licencji. Taki sprzęt może być użytkowany po spełnieniu dwóch poniższych warunków: (1) nie może powodować zakłóceń i (2) użytkownik urządzenia musi być przygotowany w taki sposób, aby był chroniony przed wszelkimi odbieranymi zakłóceniami radiowymi, nawet jeśli takie zakłócenia mogą wpłynąć na pracę urządzenia.

Zgodnie z przepisami Industry Canada ten nadajnik radiowy może być obsługiwany z anteną o typie i maksymalnym zysku energetycznym zatwierdzonym dla nadajników (lub niższym niż taka maksymalna wartość) według norm Industry Canada.

Aby ograniczyć ryzyko zakłóceń radiowych dla użytkowników, typ anteny i jej zysk energetyczny należy dobrać w taki sposób, aby odpowiadająca emitowana moc izotropowa (e.i.r.p.) nie przekraczała intensywności wymaganej do nawiązania satysfakcjonującej komunikacji.

12. Rozwiązywanie problemów

Problemy	Możliwa przyczyna	Środki zaradcze
Czujnik nie włącza się	Wyładowane baterie.	Wymienić baterie.
	Wadliwa elektronika.	Skontaktować się z firmą Tractel®
Miganie diody LED czujnika przy częstotliwości 4 Hz (4 razy na sekundę)	Brak komunikacji pomiędzy czujnikiem i jego obwodem drukowanym.	Skontaktować się z firmą Tractel®

Wszelkie inne problemy związane ze zdalną jednostką wyświetlania opisane zostały w stosownej instrukcji.

13. Deklaracja zgodności

Kopia deklaracji zgodności stanowi załącznik

Содержание

1. Основные указания	56
2. Определения и условные обозначения	57
2.1. Определения	57
2.2. Условные обозначения	57
3. Описание и маркировка	58
3.1. Введение	58
3.2. Принцип действия	58
3.3. Маркировка	58
4. Сопутствующее оборудование	58
5. Применение	59
5.1. Установка батарей	59
5.2. Установка	59
5.3. Запуск датчика	59
5.4. Функции	60
5.4.1. Работа в базовой конфигурации	60
5.4.2. Автоматическая установка на нуль	60
5.4.3. Информация, предоставляемая светодиодом датчика	60
5.4.4. Работа в конфигурации с несколькими устройствами и в расширенной конфигурации	60
5.5. Выключение изделия	60
5.6. Демонтаж	60
6. Запрещённые виды применения	61
7. Техническое обслуживание и периодические проверки	61
7.1. Замена батарей	61
7.2. Прочие проверки	61
8. Транспортировка и хранение	61
9. Утилизация изделия и защита окружающей среды	61
10. Технические характеристики	62
11. Нормы и стандарты	62
12. Устранение неполадок	63
13. Декларация соответствия	63

1. Основные указания

1. Прежде чем приступать к установке и использованию данного изделия, крайне важно прочитать настоящую инструкцию и соблюдать приведённые в ней указания по безопасному и эффективному применению. Копия настоящей инструкции должна быть доступна всем операторам. Дополнительные копии можно получить по запросу у Tractel®.
2. Не используйте данное изделие, если какие-либо этикетки, прикреплённые к изделию или к его дополнительным принадлежностям, или же маркировка, представленная в конце настоящего руководства, отсутствуют или неразборчивы. Прежде чем возобновлять использование изделия, к нему необходимо прикрепить идентичные этикетки, которые можно получить по запросу у Tractel®.
3. Убедитесь, что каждый пользователь данного изделия ознакомлен с принципом его работы и соблюдает требования техники безопасности, связанные с выполняемой задачей. Настоящая инструкция должна быть доступна всем пользователям. Оберегайте оборудование от самовольного вмешательства в его работу.
4. Установка и эксплуатация данного изделия должна осуществляться в таких условиях, которые обеспечивают безопасность лица, производящего установку, в соответствии с применимыми местными нормами.
5. Перед каждым использованием изделия проверяйте его состояние и состояние его дополнительных принадлежностей. Никогда не используйте изделие в ненадлежащем состоянии.
6. В случае наличия видимых неисправностей или возникновения проблем в работе, не связанных с состоянием батареи, верните изделие производителю для проведения обслуживания.
7. Оберегайте изделие от ударов.
8. Данное изделие не допускается использовать в каких-либо других целях, кроме описанных в настоящей инструкции. Изделие не допускается использовать для нагрузок, превышающих безопасную рабочую нагрузку, указанную на изделии. Изделие не допускается использовать во взрывоопасной среде.
9. Прежде чем использовать данное изделие в системе для транспортировки людей, руководитель должен проверить коэффициенты использования, требуемые для обеспечения безопасности персонала, а также общее соответствие нормам и правилам техники безопасности, применимым для грузовой линии, в которой используется изделие.

RU

10. Tractel® не несет ответственности за эксплуатационные качества изделия, если оно используется в конфигурации, не описанной в настоящей инструкции.
11. В случае внесения в данное изделие любых модификаций, не утвержденных Tractel®, или в случае снятия любых компонентов Tractel® освобождается от всех видов ответственности.
12. В случае проведения демонтажа данного изделия в порядке, не описанном в настоящем руководстве, или в случае проведения ремонтных работ, не утвержденных Tractel®, Tractel® освобождается от всех видов ответственности, особенно в случае замены оригинальных деталей на детали других поставщиков.
13. Динамометр dynafog™ представляет собой дополнительное приспособление для подъёмного оборудования; следовательно, должны применяться нормы и правила техники безопасности, применимые для такой категории оборудования.
14. После снятия изделия с эксплуатации оно должно быть утилизировано таким образом, который исключал бы возможность его повторного использования. При этом должны быть соблюдены нормативные требования в области защиты окружающей среды.
15. Данное изделие утверждено к применению в соответствии с европейскими нормами и стандартами, указанными в разделе «11. Нормы и стандарты». Прежде чем вводить изделие в эксплуатацию и использовать его в других странах, его необходимо проверить на соответствие нормам, действующим в этих странах. Данные нормы должны быть соблюдены.
16. Прежде чем использовать данное изделие с дополнительным оборудованием, передающим его сигналы в операционную систему, необходимо провести анализ рисков для конкретных используемых рабочих функций и принять все соответствующие меры предосторожности.

2. Определения и условные обозначения

2.1. Определения

В контексте настоящего руководства используются следующие термины, значение которых указано ниже:

«**Изделие**»: Элемент или оборудование, описываемое в настоящем руководстве и

поставляемое в собранном виде в стандартном исполнении или в различных существующих моделях.

«**Установка**»: Все операции, требуемые для перевода собранного изделия из состояния, в котором оно было поставлено, в состояние ввода в эксплуатацию (или подсоединения к другим элементам для ввода в эксплуатацию).

«**Руководитель**»: Лицо или организация, ответственная за управление и безопасное использование изделия, описываемого в руководстве.

«**Техник**»: Квалифицированное лицо, знакомое с изделием и отвечающее за операции технического обслуживания, описанные и разрешенные в руководстве.

«**Оператор**»: Лицо, использующее изделие в соответствии с инструкциями в настоящем руководстве.

«**MR**»: Диапазон измерений (полный).

«**SWL**»: Безопасная рабочая нагрузка

2.2. Условные обозначения



«**ОПАСНО**»: Указывается в начале абзаца. Обозначает инструкции по предупреждению травм (от легких до смертельных), а также по предупреждению ущерба для окружающей среды.



«**ВАЖНО**»: Указывается в начале абзаца. Обозначает инструкции по предупреждению неполадок или повреждений изделия, которые не создают прямой угрозы для жизни или здоровья операторов или других лиц, и/или которые могут повлечь за собой ущерб для окружающей среды.



«**NB**»: Указывается в начале абзаца. Обозначает меры предосторожности, которые необходимо принять, чтобы установка, использование и техническое обслуживание осуществлялись эффективным и эргономичным образом.



: Указывается непосредственно на изделии или на его компоненте. Обозначает необходимость ознакомления с руководством по эксплуатации и техническому обслуживанию.

3. Описание и маркировка

3.1. Введение

Dynafor™ Expert — это прецизионные тензодатчики (0,1% MR) для измерения сил и индикации нагрузок. Диапазон грузоподъемности: от 0,5 до 10 т.

Изделие и его батареи поставляются в кейсе*, который содержит:

- Dynafor™ Expert.
- Руководство по установке, эксплуатации и техническому обслуживанию.
- Сертификат калибровки.
- Декларация соответствия CE.

Сертификат калибровки

Данный документ действителен в течение одного года и служит удостоверением того, что датчик был отрегулирован с применением внутренней процедуры Tractel® на калибровочном стенде с использованием стандартного датчика, подсоединенного к международному эталону.

Опционально: Сертификат калибровки ISO 376

По запросу датчик может поставляться с сертификатом калибровки ISO 376.

Данный документ действителен в течение 26 месяцев и служит удостоверением того, что изделие было откалибровано в соответствии с ISO 376 на калибровочном стенде с использованием стандартного датчика, подсоединенного к международному эталону.

Специальная запатентованная форма крепежных головок позволяет использовать традиционные серьги или стандартные цепные приспособления.

Технологии, реализованные на уровне радиооборудования и программного обеспечения, предлагают, в дополнение к традиционным видам применения динамометров, ряд возможностей конфигурации с несколькими датчиками. Кроме того, они предоставляют доступ к расширенным функциям, таким как запись, управление пороговыми значениями и мониторинг.

Опциональный канал связи с ПК через USB-порт позволяет осуществлять управление и архивирование данных.

Описание различных возможных комбинаций приведено в главе 4. Сопутствующее оборудование.

3.2. Принцип действия

Принцип действия dynafor™ Expert основан на измерении удлинения, в пределах упругости, металлического корпуса, испытывающего

растягивающее напряжение, посредством тензометров.

Изделие может работать во всех направлениях.

3.3. Маркировка

См. рис. 1.

A	Крепежная головка
B	Соединительный штифт
C	Удерживающие зажимы штифта B
D	Защитный элемент
E	Крышка
F	Кнопка включения/выключения (запуска/остановки)
G	Серийный номер
H	Индикатор работы
I	Максимальный груз, на который рассчитан датчик
J	Элемент для центровки серьги
K	Крепежное кольцо
L	Фиксирующий винт крышки M
M	Крышка батарейного отсека
N	Батарейный отсек (3 «AA»)
O	Производитель
P	QR-код для перехода на платформу tracinfo, которая содержит руководство, сертификат калибровки и лист технических данных

4. Сопутствующее оборудование

Изделие совместимо со следующим оборудованием:

Подъемные приспособления:

- Полукруглая серьга
- V-образная серьга
- Крюк-карабин

Dynafor™	Полукруглая серьга	V-образная серьга	Крюк-карабин
Expert 0.5t	47916	111407	111437
Expert 1t	47916	111407	111437
Expert 2t	47916	111407	111437
Expert 3.2t	47916	111407	111437
Expert 5t	47926	111417	111447
Expert 6.3t	47926	111417	111447
Expert 10t	47936	112207	112217

Для получения подробной информации по подъемным приспособлениям, см. лист технических данных, иллюстрацию полукруглой серьги на рис. 2, V-образной серьги на рис. 3 и крюка-карабина на рис. 4.

Подъемные приспособления, не рекомендованные Tractel®, должны иметь корректные размеры, соответствующие действующим местным нормам.

Устройства отображения:

- Удаленный дисплей **dynafor™** HND имеет множество функций, включая считывание и управление 4 датчиками на расстоянии до 400 м на открытом воздухе.
Коды: 293609 при покупке с датчиком **dynafor™** Expert или Pro
Код: 293449 при покупке отдельно
- Большой дисплей AL128 для обеспечения хорошей видимости знаков (высота знаков: 128 мм), поддерживает беспроводную связь на расстоянии до 200 м на открытом воздухе.
Код: 293489

Модуль управления безопасностью пороговых значений:

- Средство мониторинга **dynafor™** (DMU), имеющее те же функции, что и удаленный дисплей **dynafor™** HND, и позволяющее управлять 5 реле.
Код: 293479

Программное обеспечение:

- Программное обеспечение для загрузки данных, записанных на удаленном дисплее **dynafor™** HND, на компьютер.
Код: 293509
- Программное обеспечение для мониторинга позволяет отображать, записывать и анализировать значения нагрузки в режиме реального времени для 8 датчиков. Требуется наличия удаленного дисплея **dynafor™** HND.
Код: 68968
- Приложение **dynafor™** для отображения значения нагрузки датчика на смартфоне или планшете по Bluetooth на расстоянии до 30 м на открытом воздухе. Доступно на iOS и Android.

5. Применение



Руководитель должен проследить за тем, чтобы установка изделия была поручена технику. Руководитель должен удостовериться, что прежде, чем приступить к использованию изделия, оператор ознакомился с руководством по установке, эксплуатации и техническому обслуживанию.

5.1. Установка батарей

Три батареи «AA» 1,5 В установлены на заводе.

Чтобы активировать батареи, извлеките изоляционную прокладку, выступающую из батарейного отсека. Для получения информации по последующей замене батарей см. раздел 7.1. Замена батарей.

5.2. Установка

В ходе установки необходимо в обязательном порядке:

1. Убедиться, что точка или точки крепления грузовой линии достаточно прочны, чтобы выдержать прилагаемую нагрузку.
2. Убедиться, что подъемные приспособления на обоих концах изделия совместимы и соответствуют применимым местным нормам.
3. Надлежащим образом закрепить серьги, полностью вкрутив штифты. Надлежащим образом закрепить грушевидные серьги, убедившись, что штифты установлены корректным образом. Зафиксировать штифт крюка-карабина посредством шплинта. Убедиться в наличии и исправности защёлки крюка.
4. Дать изделию свободно выровняться по линии воздействия силы.
5. Проверить наличие и состояние батарей в датчике.
6. Подключить изделие к удаленному дисплею или смартфону через приложение Tractel и к другим совместимым устройствам отображения, указанным в пункте 4. Сопутствующее оборудование.
7. Убедиться, что между датчиком и блоком отображения установлена хорошая радиосвязь.

Используйте изделие только для работы на растяжение.

Изделие может использоваться во всех направлениях, в том числе в горизонтальном.

Изделие может использоваться в диапазоне температур от -20°C до +50°C. Для использования изделия за пределами указанной температуры его необходимо оснастить тепловой защитой.

5.3. Запуск датчика

Всегда включайте датчик до включения удаленного дисплея, в противном случае удаленный дисплей не сможет установить радиосвязь.

Световой индикатор на кнопке запуска/остановки, расположенный в центре мембраны, активирует выключатель. (См. рис. 5, элемент F.)

При включении питания два красных светодиода начинают одновременно мигать.

5.4. Функции

5.4.1. Работа в базовой конфигурации

В базовой конфигурации применяется система, состоящая из

одного удаленного дисплея и/или одного датчика и смартфона с приложением dynafor™. Такая система измеряет и отображает усилие, воздействующее на датчик.

5.4.2. Автоматическая установка на нуль


При включении dynafor™ Expert на связанном дисплее будет отображаться «0» при условии, что измеряемая сила составляет менее 10% от SWL изделия.

5.4.3. Информация, предоставляемая светодиодом датчика

РЕЖИМ работы датчика	Мигание светодиода датчика	Число измерений в секунду	Время работы батареи
Остановлен	Выкл	-	-
Стандартный	1 проблеск в секунду	4 в секунду	300 ч
Режим экономии*	1 проблеск каждые 4 секунды	1 каждые 4 секунды	1000 ч
Спящий режим	1 проблеск каждые 8 секунд	-	3000 ч
Пиковая нагрузка	2 проблеска в секунду	32 в секунду	100 ч
Низкий уровень заряда батарей.	Идентично отдельным режимам, но с одним светодиодом		-

*В соответствии с заводскими настройками по умолчанию переход в спящий режим происходит автоматически, если в течение 5 минут отсутствуют изменения нагрузки (10% от SWL). Данный режим экономии можно регулировать. См. руководство по удаленному дисплею dynafor™ HND.

5.4.4. Работа в конфигурации с несколькими устройствами и в расширенной конфигурации

 **ВВ:** Для получения более подробной информации см. руководства по сопутствующему оборудованию, указанные в пункте 4. Сопутствующее оборудование.

В конфигурации с несколькими устройствами может быть подключено до четырех датчиков и одно или более устройств отображения. Датчики могут быть рассчитаны на работу с разными грузами. (Для использования более чем четырех датчиков требуется опция для подключения ПК.)

При некоторых видах применения полезно отображать результаты измерений от разных датчиков на одном удаленном дисплее dynafor™ HND.

Пример: Подъем груза с траверсой, подвешенной на двух лебедках, каждая из которых оборудована датчиком. Группировка двух результатов измерения усилия на одном удаленном дисплее dynafor™ HND позволяет оператору просматривать два значения усилия и их общую величину, а также следить за тем, чтобы нагрузка распределялась между двумя лебедками корректным образом.

Для получения дополнительной информации по конфигурациям с несколькими устройствами свяжитесь с Tractel®

5.5. Выключение изделия

Чтобы выключить изделие, нажмите и удерживайте кнопку запуска/остановки в течение 2 секунд, не прилагая при этом чрезмерного усилия.

При отсутствии изменений нагрузки изделие автоматически переходит в спящий режим по прошествии 20 минут. Такой автоматический переход в спящий режим сохраняет заряд батарей датчика.

Когда устройство отображения подключается снова, датчик автоматически включается.

Данный автоматический переход в спящий режим можно регулировать. См. руководство по удаленному дисплею dynafor™ HND.

5.6. Демонтаж

Прежде чем приступить к демонтажу изделия, убедитесь, что на него не воздействуют какие-либо растягивающие силы.

Очистите изделие и уберите его на хранение в соответствии с разделами 7.2. Прочие проверки и 8. Транспортировка и хранение.

6. Запрещённые виды применения

См. рис. 7.

ЗАПРЕЩАЕТСЯ:

- Использовать изделие в системе для транспортировки людей, не проведя предварительный анализ рисков.
- Вносить в изделие модификации.
- Использовать изделие с превышением SWL по статическим и динамическим силам.
- Проводить дуговую сварку, когда изделие находится в цепи заземления.
- Подвергать изделие электрическим и/или электромагнитным ударам.
- Разбирать или открывать изделие.
- Использовать изделие для выполнения операций, не описываемых в настоящем руководстве.
- Использовать изделие в условиях риска воздействия на него сжимающих, изгибающих или скручивающих нагрузок.
- Препятствовать выравниванию изделия по линии воздействия силы.
- Использовать изделие в высоко коррозионной среде.
- Использовать изделие во взрывоопасной среде.
- Использовать изделие за пределами диапазона температуры от -20°C до 50°C.
- Использовать изделие, если оно подвергалось воздействию силы свыше 110% от его SWL.
- Использовать изделие в ненадлежащем состоянии.
- Использовать изделие с отсутствующей или неразборчивой маркировкой.
- Использовать изделие с дополнительными принадлежностями из нержавеющей стали.

7. Техническое обслуживание и периодические проверки

7.1. Замена батарей

Если батареи разряжены, светодиоды в центре кнопки запуска/остановки датчика попеременно мигают.

Кроме того, на удаленном дисплее отображается сообщение с предупреждением. Батареи необходимо заменить.

- Используя крестообразную отвёртку, снимите крышку батарейного отсека.
- Замените три батареи «AA», 1,5 В на новые, соблюдая корректную полярность.
- Установите крышку батарейного отсека на место и затяните фиксирующие винты таким образом, чтобы крышка была расположена заподлицо с краем батарейного отсека.

7.2. Прочие проверки

Tractel® рекомендует периодически осматривать изделие и регулярно чистить датчик сухой тканью.

Кроме того, Tractel® рекомендует ежегодно проводить повторную калибровку (для получения информации по регулировке см. раздел 3.1. Введение) до завершения срока действия сертификата.

Tractel® может предоставлять данные услуги по запросу.

8. Транспортировка и хранение

При хранении и/или транспортировке изделия необходимо:

- Упаковывать изделие в оригинальную упаковку и вынимать из него батареи
- Хранить изделие в сухом месте
- Хранить изделие при температуре от -20°C до +60°C
- Оснащать изделие защитой от химических, механических или любых других опасных воздействий

9. Утилизация изделия и защита окружающей среды

Утилизация изделия должна производиться в соответствии с нормами, применимыми в стране его использования.

Изделие соответствует требованиям регламента REACH и директивы RoHS; действие директивы WEEE на него не распространяется.

Переработка различных компонентов изделия должна осуществляться с учётом условий, указанных в таблице ниже, после отделения металлических и синтетических материалов. Переработка этих материалов должна производиться специализированными организациями.

В ходе утилизации, демонтаж изделия для отделения его компонентов может производиться только квалифицированными лицами.

Компонент	Обращаться, как с отходами следующих типов
Корпус изделия	Алюминий и чугун
Корпус электронного оборудования (пластмасса)	Обычные отходы
Печатная плата и дисплей	Электроника
Батареи	Аккумулятор

10. Технические характеристики

Характеристики линейки dynafor™ Expert

Модель	Единицы измерения	Expert 0.5	Expert 1	Expert 2	Expert 3.2	Expert 5	Expert 6.3	Expert 10
SWL	г	0,5	1	2	3,2	5	6,3	10
Коэффициент безопасности		>4						
Точность	+/--%	0,1% EM при 21 °C						
	+/- кг	0,5	1	2	3,2	5	6,3	10
Разрешающая способность	кг	0,1	0,2	0,5	0,5	1	1	2
Частота измерений	Гц	4-32 Гц в режиме пиковой нагрузки; 1 Гц в режиме экономии						
Макс. отображаемое значение	%	110% от SWL						
Время работы батареи	ч	300-1000						
Технология РЧ-связи (радиочастотной связи)		2,4-2,4835 ГГц, собственная, радиус до 400 м на открытом воздухе						
Мощность радиоизлучения	дБм	9,5						
Технология Bluetooth		BLE 4.0 (2,4-2,4835 ГГц), радиус до 30 м на открытом воздухе						
Мощность радиоизлучения BLE	дБм	7,71						
Масса	кг	2,3	2,3	2,3	2,3	3,35	3,35	6,45
Степень защиты IP		IP 64 (опционально доступна IP 67)						
Рабочая температура	°C	от -20°C до +50°C						
Материал датчика		Алюминий						
Материал головок		Сталь						
Батареи		AA, 3 шт.						
Размеры (см. рис. 6)								
A	мм	248	248	248	248	290	290	341
B		224	224	224	224	254	254	296
C		Ø20	Ø20	Ø20	Ø20	Ø28	Ø28	Ø40
D		10	10	10	10	16	16	20
E		24	24	24	24	35	35	54
F		80	80	80	80	80	80	80
G		100	100	100	100	100	100	100

11. Нормы и стандарты

Изделие, описываемое в настоящем руководстве, соответствует следующим стандартам:

Европейские стандарты

Директива 2006/42/ЕС о машинах и механизмах
Директива RED: 2014/53/ЕС

Стандарты радиосвязи

EN300440 V2.1.1
EN300328 V2.2.2
ETSI 203367 V1.1.0

Стандарты в области здравоохранения:
EN62479 (2010)

Стандарты ЭМС
EN61326-1 (2013)

EN301 489- 1 & 17

Стандарты в области электробезопасности:
IEC/EN61010-1 (Amd 1 ed. 3)

Международные стандарты

IEC 61326-1 ed. 2: 2012
IEC 61311: 2007

Американские и канадские стандарты

Стандарты радиосвязи
FCC section 15
RSS-GEN & RSS-210

Стандарты ЭМС
FCC section 15
ICES-003

NB: Данное оборудование было испытано и признано соответствующим ограничениям для цифрового устройства класса А согласно разделу 15 норм FCC. Эти ограничения предназначены для обеспечения надлежащей защиты от вредных помех при использовании оборудования в коммерческой среде. Данное оборудование генерирует, использует и может излучать радиоволны, и в случае, если его установка и использование не будет осуществляться в соответствии с инструкциями, оно может создавать вредные помехи для радиосвязи. Использование данного оборудования в жилых районах может вызывать вредные помехи, в этом случае пользователь должен устранить помехи за свой счет.

NB: Данное изделие соответствует стандартам RSS министерства промышленности Канады, применимым для нелицензируемой радиоаппаратуры. Оборудование допускается к использованию при

выполнении двух следующих условий: (1) оно не должно создавать помех, и (2) пользователь устройства должен быть готов принимать любые поступающие радиопомехи, даже если такие помехи могут сказаться на работе устройства.

В соответствии с нормами министерства промышленности Канады, данный радиопередатчик может использоваться с антенной, тип и максимальный коэффициент усиления которой утвержден для передатчика министерством промышленности Канады.

В целях снижения риска создания радиопомех для других пользователей, тип и коэффициент усиления антенны должен выбираться таким образом, чтобы эквивалентная изотропно-излучаемая мощность (e.i.r.p.) не превышала величину, требуемую для установления удовлетворительной связи.

12. Устранение неполадок

Проблемы	Возможные причины	Способы устранения
Датчик не включается	Разряжены батареи.	Замените батареи.
	Неисправна электроника.	Свяжитесь с Tractel®
Светодиод датчика мигает с частотой 4 Гц (4 раза в секунду)	Отсутствует связь между датчиком и его печатной платой.	Свяжитесь с Tractel®

Для получения информации по всем другим вопросам, относящимся к удаленному дисплею, см. руководство.

13. Декларация соответствия

Копия декларации соответствия приведена в приложении



- GB EU DECLARATION OF CONFORMITY
- FR DECLARATION UE DE CONFORMITE
- ES DECLARACIÓN UE DE CONFORMIDAD
- IT DICHIARAZIONE DI CONFORMITÀ UE
- DE UE-KONFORMITÄTSEERKLÄRUNG
- NL UE-CONFORMITEITSVERKLARING
- PT DECLARAÇÃO DE CONFORMIDADE UE
- EU-VERENSSTEMMELSESEERKLÆRING
- EU-VASTAAVUUSVAKUUTUS
- EU-SAMSVARSERKLÆRING

- SE EU-FÖRSÄKRAN OM ENSSTÄMMELSE
- ΔΗΛΩΣΗ ΣΥΜΜΟΡΦΩΣΗΣ ΕΥ
- DEKLARACJA ZGODNOŚCI UE
- СЕРТИФИКАТ СООТВЕТСТВИЯ ЕС
- EU-MEGFELELŐSÉGI NYILATKOZAT
- EU PROHLÁ-ENÍ O SHODU
- ЕС ДЕКЛАРАЦИЯ ЗА СЪОТВЕТСТВИЕ
- DECLARATIE DE CONFORMITATE UE
- EÚ VYHLÁSENIE O ZHODE
- IZJAVA EU O USTREZNOSTI



TRACTEL S.A.S.
 RD 619, Saint-Hilaire-sous-Romilly, F-
 10102 ROMILLY-SUR-SEINE
 T : 33 3 25 21 07 00



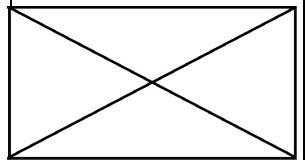
represented by / représentée par / representado por / rappresentato da / vertreten durch / vertegenwoordigd door / representada por / repræsenteret af / edustajana / representent ved / företråds av / εκπροσωπούμενη από / reprezentowany przez / в лице / képviselő / zastoupená / представител / reprezentat de catre / zastúpená / ki ga predstavlja

M. Nicolas EMERY

TRACTEL S.A.S.
 RD 619, Saint-Hilaire-sous-Romilly,
 F-10102 ROMILLY-SUR-SEINE

General manager / Directeur Général / gerente general / Direttore generale / Generaldirektor / Algemeen manager / Director Geral / Daglig leder / Toimitusjohtaja / Daglig leder / VD / Γενικός διευθυντής / Główny menadżer / Главный управляющий / Vezérigazgató / Generální ředitel / Управител / Manager general / Generálny riaditeľ / Generalni direktor

Also responsible for technical documentation / Aussi responsable de la documentation technique / También responsable de la documentación técnica / Responsabile anche della documentazione tecnica / Auch verantwortlich für die technische Dokumentation / Tevens verantwoordelijk voor technische documentatie / Também responsável pela documentação técnica / Også ansvarlig for tekniskdokumentation / Vastaa myös teknisestä dokumentaatiosta / Også ansvarlig for teknisk dokumentasjon / Ansvarar också för teknisk dokumentation / Επίσης υπεύθυνος για την τεχνική τεκμηρίωση / Odpowiada również za dokumentację techniczną / Также отвечает за техническую документацию / Felelős a műszaki dokumentációért is / Zodpovídá také za technickou dokumentaci / Отговаря и за техническата документация / De asemenea, responsabil pentru documentația tehnică / Zodpovedá aj za technickú dokumentáciu / Odgovorna tudi za tehnično dokumentacijo



Saint Hilaire sous Romilly
 Le 26/02/2021



G B	CERTIFIES THAT: The equipment designated oppo- site is compliant with the technical safety rules applicable on the initial date of marketing in the EUROPEAN UNION by the manufacturer. MEASURES APPLIED: See below	S E	INTYGAR ATT: utrustningen som avses på motstående sida överensstämmer med de tekniska säkerhetsregler som är tillämpliga när produkten släpps på Europeiska unionens marknad. GÄLLANDE BESTÄMMELSER: Se ovan
F R	CERTIFIE QUE : L'équipement désigné ci-contre est conforme aux règles techniques de sécurité qui lui sont applicables à la date de mise sur le marché de l'UNION EUROPÉENNE par le fabricant. DISPOSITIONS APPLIQUÉES : Voir ci-dessous	G R	ΒΕΒΑΙΩΝΕΙ ΟΤΙ: Ο εξοπλισμός που αναφέρεται δίπλα είναι σύμφωνος προς τους τεχνικούς κανόνες ασφαλείας που ισχύουν κατά την ημερομηνία διάθεσής του στην αγορά της ΕΥΡΩΠΑΪΚΗΣ ΕΝΩΣΗΣ από τον κατασκευαστή. ΙΣΧΥΟΥΣΕΣ ΔΙΑΤΑΞΕΙΣ: Βλέπε παρακάτω
E S	CERTIFICA QUE: El equipo designado al lado es conforme con las reglas técnicas de seguridad que le son aplicables en la fecha de comercialización de la UNIÓN EUROPEA por el fabricante. DISPOSICIONES APLICADAS: Ver abajo	P L	ZASWIADCZA, ŻE: Sprzęt określony na odwrocie odpowiada technicznym regułom bezpieczeństwa stosującym się do niego w dniu wprowadzenia przez producenta na rynek UNII EUROPEJSKIEJ. STOSOWANE PRZEPISY: Patrz niżej
I T	CERTIFICA CHE: L'equipaggiamento designato a fianco è conforme alle regole tecniche di sicurezza ad esso applicabili alla data di messa, dal costruttore, sul mercato dell'UNIONE EUROPEA. DISPOSIZIONI APPLICABILI: Vedi soprastante	R U	УДОСТОВЕРЯЕТ СЛЕДУЮЩЕЕ: названное оборудование соответствует применимым к нему техническим правилам безопасности, действующим на момент его выпуска производителем на рынок ЕВРОПЕЙСКОГО СОЮЗА. ПРИМЕНИМЫЕ ПОЛОЖЕНИЯ: См. ниже
D E	ERKLÄRT, DASS: Die gegenüber bezeichnete Ausrüstung den technischen Sicherheitsbestimmungen entspricht, die zum Zeitpunkt des Inverkehrbringens in der EUROPÄISCHEN UNION durch den Hersteller für die Ausrüstung gelten. ANGEWENDETE VORSCHRIFTEN: Siehe unten	H U	TANÚSÍTJA, HOGY: a szemközt megnevezett felszerelés megfelel a gyártó által az EURÓPAI UNIÓBÉLÜLI forgalmazás megkezdésének időpontjában érvényben lévő vonatkozó műszaki biztonsági szabályoknak. ALKALMAZOTT RENDELKEZÉSEK : Lásd alább
N L	VERKLAART DAT: De in hieronder beschreven uitrusting conform de technische veiligheidsvoorschriften is die van toepassing zijn op de datum van de marktintroductie in de EUROPESE UNIE door de fabrikant. TOEGEPASTE SCHIKKINGEN: Zie hieronder	C Z	POTVRZUJE, ŽE: Niže uvedené zařízení je v souladu s technickými pravidly bezpečnosti platnými ke dni jeho uvedení výrobcem na trh EVROPSKÉ UNIE. PLATNÁ USTANOVENÍ: VViz níže
P T	CERTIFICA QUE: O equipamento designado ao lado satisfaz as regras técnicas de segurança aplicáveis na data da introdução no mercado da UNIÃO EUROPEIA pelo fabricante. DISPOSIÇÕES APLICADAS: Ver abaixo	B G	УДОСОТВЕРЯВА, ЧЕ: описаното съоръжение съответства на приложимите за него технически правила за безопасност към датата на пускането му на пазара на ЕВРОПЕЙСКИЯ СЪЮЗ от производителя. ПРИЛОЖИМИ РАЗПОРЕДБИ: Виж по-долу
D K	ERKLÆRER AT: Udstyret betegnet på modstående side er i overensstemmelse med de gældende tekniske sikkerhedsforskrifter på den dato, hvor fabrikanten har markedsført det i den EUROPÆISKE UNION. GÆLDENDE BESTEMMELSER: Se nedenfor	R O	CERTIFICĂ FAPTUL CĂ: Echipamentul menționat alături este conform normelor tehnice de securitate aplicabile la data lansării pe piața UNIUNII EUROPENE de către producător. DISPOZIȚII APLICATE : A se vedea mai jos
F I	VAKUUTTAA, ETTÄ: laite, johon tässä asiakirjassa viitataan täyttää tekniset turvamääräykset sinä päivänä, jona valmistaja tuo tuotteen myyntiin Euroopan unionin markkinoille. SOVELLETTAVAT MÄÄRÄYKSET: Katso alta	S K	POTVRDZUJE, ŽE: Nižšie uvedené zariadenie je v súlade s technickými pravidlami bezpečnosti platnými ku dňu jeho uvedenia výrobcem na trh EURÓPSKEJ UNIE. PLATNÉ USTANOVENIA: Pozrite nižšie
N O	SERTIFISERER AT: Det udstyret som omtales på motsatt side er i overensstemmelse med de tekniske sikkerhetsregler som gjelder på det tidspunktet som fabrikanten setter udstyret i drift på markedet i DEN EUROPEISKE UNION. GJELDENDE NORMER: Se under	S I	POTRJUJE, DA: je opisana oprema skladna s tehničnimi pravili na področju varnosti, ki veljajo zanj z dnem, ko jo proizvajalec pošlje na tržišče EVROPSKE UNIJE. VELJAVNA DOLOČILA: glej spodaj

G B	The notified body LCIE NB 0081 has performed a product technical design review (Article 3.2 essential requirement) as specified in annex III of 2014/53/UE directive and issued the EU-type examination certificate N°RED : See below	S E	Det anmälda organet LCIE NB 0081 har utfört en produktiv teknisk konstruktionsanalys (artikel 3.2 väsentliga krav) enligt specifikation i bilaga III till 2014/53/EU-direktivet och utfärdat ett EU-typintyg N°RED: Se ovan
F R	L'organisme notifié LCIE NB 0081 a effectué une révision de la conception technique du produit (condition requise de l'article 3.2) comme indiqué dans l'annexe III de la directive 2014/53/UE et a délivré le certificat d'examen UE de type N°RED : Voir ci-dessous	G R	Ο κοινοποιημένος οργανισμός LCIE NB 0081 έχει διενεργήσει έλεγχο στον τεχνικό σχεδιασμό του προϊόντος (ουσιώδης απαίτηση του άρθρου 3.2) όπως ορίζεται στο παράρτημα ΙΙΙ της οδηγίας 2014/53/ΕΕ και εξέδωσε το πιστοποιητικό εξέτασης τύπου ΕΕ σύμφωνα με την οδηγία για τον ραδιοεξοπλισμό: Βλέπε παρακάτω
E S	El organismo certificado LCIE con n.o 0081 ha llevado a cabo una revisión técnica del diseño del producto (requisito obligatorio del Artículo 3.2) según lo dispuesto en el anexo III de la Directiva 2014/53/UE y ha emitido el certificado de examen UE de tipo N.o RED: Ver abajo	P L	Jednostka notyfikowana LCIE NB 0081 dokonała przeglądu projektu technicznego produktu (art. 3.2 zasadniczy wymóg) zgodnie z załącznikiem III do dyrektywy 2014/53/UE i wydała certyfikat badania typu UE Nr RED: Patrz niżej
I T	L'organismo notificato LCIE NB 0081 ha effettuato una verifica della realizzazione tecnica del prodotto (requisito essenziale dell'Articolo 3.2) come specificato nell'allegato III della direttiva 2014/53/UE e ha rilasciato il certificato di esame UE del tipo N°RED: Vedi soprastante	R U	Уполномоченный орган LCIE NB 0081 изучил проектную техническую документацию по продукту (основное требование статьи 3.2), как указано в приложении III Директивы 2014/53/ЕС, и выдал свидетельство о проверке европейского образца N° RED: См. ниже
D E	Die benannte Stelle LCIE NB 0081 hat eine Prüfung des technischen Produktdesigns durchgeführt (wichtige Voraussetzung aus Artikel 3.2), wie im Anhang III der Richtlinie 2014/53/EU angegeben, und hat das EU-Prüfzertifikat nach N°RED ausgestellt: Siehe unten	H U	Az LCIE NB 0081 bejelentett szerv a 2014/53/EU irányelvnek megfelelően (3.2. cikk, szükséges követelmények), a 2014/53/EU irányelv III. mellékletében előírtak szerint elvégezte a termék műszaki kialakításának felülvizsgálatát, és kiadta a N°RED EU-s felülvizsgálati tanúsítványt: Lásd alább
N L	De aangemelde instantie LCIE NB 0081 heeft een beoordeling uitgevoerd van het technische ontwerp van het product (artikel 3.2, essentiële vereiste), zoals gespecificeerd in annex III van Europese Richtlijn 2014/53/EU, en heeft het beoordelingscertificaat van EU-type N°RED afgegeven: Zie hieronder	C Z	Oznámený subjekt LCIE NB 0081 provedl kontrolu technického návrhu výrobku (článek 3.2, základní požadavek), jak je uvedeno v příloze III směrnice 2014/53 /UE, a vydal certifikát EU o přezkoušení N°RED: VViz níže
P T	O organismo notificado LCIE NB 0081 realizou uma revisão da conceção técnica do produto (requisito essencial do artigo 3.2) conforme especificado no anexo III da diretiva 2014/53/UE e emitiu o certificado de exame UE de tipo N° RED: Ver abaixo	B G	Нотифицираният орган LCIE NB 0081 е извършил преглед на техническия проект на продукта (съществено изискване на член 3.2), както е посочено в приложение III към Директива 2014/53/ЕС, и е издал сертификат за ЕС изследване на типа N°RED: Виж по-долу
D K	Det bemyndigede organ LCIE NB 0081 har foretaget en teknisk produktanalyse (artikel 3.2: Væsentlige krav) som specificeret i bilag III i 2014/53/EU-direktivet og udstedt EU-typeundersøgelsescertifikatet RED: Se nedenfor	R O	Organismul notificat LCIE NB 0081 a analizat proiectul tehnic al produsului (art. 3.2 Cerințe esențiale), așa cum se specifică în Anexa III din Directiva 2014/53/UE și a emis certificatul de examinare UE de tip nr. RED: A se vedea mai jos
F I	Ilmoitettu tarkastuslaitos LCIE NB 0081 on suorittanut tuotteen teknisen suunnittelun katsastuksen (artiklan 3.2 mukainen olennainen vaatimus) niin kuin on määritelty EU-direktiivin 2014/53/UE liitteessä III ja myöntänyt EU-typin N°RED-tesistertifiikaatin: Katso alta	S K	Oboznámený orgán LCIE NB 0081 vykonal kontrolu technického dizajnu produktu (článok 3.2 o dôležitých požiadavkách), ako to určuje príloha III smernice 2014/53/EÚ a vydal certifikát o preskúmaní typu EÚ N°RED : Pozrite nižšie
N O	Det meldte organet LCIE NB 0081 har gjennomført en produktiv teknisk designanalyse (artikkel 3.2 viktig krav) som spesifisert i vedlegg III til 2014/53/EU-direktivet og utstedt EU-typeprøvingssertifikat N°RED: Se under	S I	Príглаšeni organ LCIE NB 0081 je opravil pregled tehnične zasnove izdelka (bistvena zahteva člena 3.2), kot je določeno v prilogi III k direktivi 2014/53/UE, in izdal certifikat o EU-pregledu tipa N°RED : glej spodaj

DESIGNATION / DÉSIGNATION / DESIGNACIÓN / DESIGNAZIONE / BEZEICHNUNG/
BESCHRIJVING / DESIGNAÇÃO / BETEGNELSE / NIMITYS / BENEVNELSE /
BETECKNING / ΟΝΟΜΑΣΙΑ / NAZWA / НАИМЕНОВАНИЕ / MEGNEVEZÉS / NÁZEV /
НАИМЕНОВАНИЕ / DENUMIRE / NÁZOV / OPIS

Strain-gauge dynamometers / Dynamomètres à jauges de contraintes / Dinamómetros
con calibres de tensiones / Dinamometro a rivelatori di sollecitazione /
Zugkraftmessgeräte mit Dehnungsmessstreifen / Dynamometers met
extensometriemeters / Dinamómetros de calibres de esforços / Dynamometre med
belastningsmålere / Dynamometri, paine- mittari / Dynamometre med
deformasjonsmålere / Dynamometer med töjningsgivare / Δυναμόμετρα με μετρητές
πίεσεων / Dynamometry z czujnikami tensometrycznymi / Динамометр с датчиком
напряжений / Dinamométer alakváltozás-mérőkkel / Dynamometre s tenzometrami /
Динамометри за измерване на напрежението / Dinamometre cu traductoare
tensiometrice / Dynamometre s tenzometrami / Silomeri z merilci omejitve

APPLICATION / APPLICATION / APLICACIÓN / APPLICAZIONE / ANWENDUNG /
TOEPASSING / APLICAÇÃO / ANVENDELSE / KÄYTTÖ / BRUKSOMRÅDE / ANVÄNDNING /
ΕΦΑΡΜΟΓΗ / ZASTOSOWANIE / ПРИМЕНЕНИЕ / ALKALMAZÁSI TERÜLET / APLIKACE /
ПРИЛОЖЕНИЕ / DOMENIU DE APLICARE / APLIKÁCIA / UPORABA

Hoisting accessories / Accessoires de levage / Accesorios de elevación / Accessori
disollelamento / Lastaufnahmemittel / Hissaccessoires / Acessórios de elevação /
Tilbehør til ophejsning / Nostolisälaitteet / Løftetilbehør / Lyfttillbehör / Είδη
ανύψωσης / Akcesoria do podnoszenia / Аксессуары, используемые для подъема /
Emelést segítő tartozék / Zdvíhacie zariadenie / Принадлежности за повдигане /
Accesorii de ridicat / Zdvíhacie zariadenie / Dodatki za dviganje

MAKE / MARQUE / MARCA / MARCA / MARKE / MERK / MARCA / MÆRKE / MERKKI /
MERKE / MÄRKE / ΕΜΠΟΡΙΚΟ ΣΗΜΑ / MARKA / ФИРМА / MÁRKA / ZNAČKA / МАРКА
/ MARCA / ZNAČKA / ZNAMKA

dynafor™

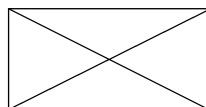
TYPE / TYPE / ΤΙΠΟ / TIPO / ТИП / TYPE / TIPO / TYPE / ΤΥΠΟΙ / TYPE / ТИП /
ΤΥΠΟΣ / ТИП / ТИП / ТИП / ТИП / ТИП / ТИП / ТИП

HHD

Pro 1t 3.2t 6.5t 15t 25t 50t 100t 250t

Expert 0.5t 1t 2t 3.2t 5t 6.3t 10t

SERIAL NO / N° DE SÉRIE / N° DE SÉRIE / Nr. DI SERIE / SERIEN-NR /
SERIENUMMER / N° DE SÉRIE / SERIENUMMER / SARJANUMERO /
SERIENUMMER / SERIENR / ΣΕΙΡΙΑΚΟΣ ΑΡΙΘΜΟΣ / Nr SERII /
N° СЕРИИ / SZÉRIASZÁM / VÝROBNÍ ČÍSLO / СЕРИЕН N° / NR. DE
SERIE / VÝROBNÉ ČÍSLO / SERIJSKA ·T



NORTH AMERICA

CANADA

Tractel Ltd.
1615 Warden Avenue
Toronto, Ontario M1R 2T3,
Canada
Phone: +1 800 465 4738
Fax: +1 416 298 0168
Email: marketing.swingstage@
tractel.com

11020 Mirabeau Street
Montréal, QC H1J 2S3, Canada
Phone: +1 800 561 3229
Fax: +1 514 493 3342
Email: tractel.canada@tractel.
com

MÉXICO

Tractel México S.A. de C.V.
Galileo #20, O cina 504.
Colonia Polanco
México, D.F. CP. 11560
Phone: +52 55 6721 8719
Fax: +52 55 6721 8718
Email: tractel.mexico@tractel.
com

USA

Tractel Inc.
51 Morgan Drive
Norwood, MA 02062, USA
Phone: +1 800 421 0246
Fax: +1 781 826 3642
Email: tractel.usa-east@tractel.
com

168 Mason Way
Unit B2
City of Industry, CA 91746, USA
Phone: +1 800 675 6727
Fax: +1 626 937 6730
Email: tractel.usa-west@
tractel.com

BlueWater L.L.C
4064 Peavey Road
Chaska, MN 55318, USA
Phone: +1 866 579 3965
Email: info@bluewater-mfg.
com

Fabenco, Inc
2002 Karbach St.
Houston, Texas 77092, USA
Phone: +1 713 686 6620
Fax: +1 713 688 8031
Email: info@safetygate.com

EUROPE

GERMANY

Tractel Greifzug GmbH
Scheidtbachstrasse 19-21
51469 Bergisch Gladbach,
Germany
Phone: +49 22 02 10 04-0
Fax: +49 22 02 10 04 70
Email: info.greifzug@tractel.
com

LUXEMBOURG

Tractel Secalt S.A.
Rue de l'Industrie
B.P 1113 - 3895 Foetz,
Luxembourg
Phone: +352 43 42 42-1
Fax: +352 43 42 42-200
Email: secalt@tractel.com

SPAIN

Tractel Ibérica S.A.
Carretera del Medio, 265
08907 L'Hospitalet del
Llobregat Barcelona, Spain
Phone : +34 93 335 11 00
Fax : +34 93 336 39 16
Email: infotib@tractel.com

FRANCE

Tractel S.A.S.
RD 619 Saint-Hilaire-sous-
Romilly
BP 38 Romilly-sur-Seine
10102, France
Phone: +33 3 25 21 07 00
Email: info.tsas@tractel.com

Ile de France Maintenance Service S.A.S.

3 rue de champfleuri
Zac du Gué de Launay
77360 Vaires sur Marne,
France
Phone: +33 1 56 29 22 22
E-mail: ifms.tractel@tractel.com

Tractel Location Service

3 rue de champfleuri
Zac du Gué de Launay
77360 Vaires sur Marne,
France
Phone: +33 1 60 36 30 00
E-mail: info.tls@tractel.com

Tractel Solutions S.A.S.
77-79 rue Jules Guesde
69230 St Genis-Laval, France
Phone: +33 4 78 50 18 18
Fax: +33 4 72 66 25 41
Email: info.tractelsolutions@
tractel.com

GREAT BRITAIN

Tractel UK Limited
Old Lane Halfway
Sheffield S20 3GA,
United Kingdom
Phone: +44 114 248 22 66
Email: sales.uk@tractel.com

ITALY

Tractel Italiana SpA
Viale Europa 50
Cologno Monzese (Milano)
20093, Italy
Phone: +39 02 254 47 86
Fax: +39 02 254 71 39
Email: infoit@tractel.com

NETHERLANDS

Tractel Benelux BV
Paardeweide 38
Breda 4824 EH, Netherlands
Phone: +31 76 54 35 135
Fax: +31 76 54 35 136
Email: sales.benelux@tractel.
com

PORTUGAL

Lusotractel Lda
Bairro Alto Do Outeiro
Armazém, Trajouce, 2785-653
S. Domingos de Rana, Portugal
Phone: +351 214 459 800
Fax: +351 214 459 809
Email: comercial.lusotractel@
tractel.com

POLAND

Tractel Polska Sp. z o.o.
ul. Byslawska 82
Warszawa 04-993, Poland
Phone: +48 22 616 42 44
Fax: +48 22 616 42 47
Email: tractel.polska@tractel.
com

NORDICS

Tractel Nordics
(Scanclimber OY)
Turkkirata 26, FI - 33960
PIRKKALA, Finland
Phone: +358 10 680 7000
Fax: +358 10 680 7033
E-mail: tractel@scanclimber.
com

RUSSIA

Tractel Russia O.O.O.
Olympiyskiy Prospect 38, Office
411, Mytishchi, Moscow Region
141006, Russia
Phone: +7 495 989 5135
Email: info.russia@tractel.com

ASIA

CHINA

**Shanghai Tractel Mechanical
Equip. Tech. Co. Ltd.**
2nd oor, Block 1, 3500 Xiupu
road,
Kangqiao, Pudong,
Shanghai, People's Republic
of China
Phone: +86 21 6322 5570
Fax : +86 21 5353 0982

SINGAPORE

Tractel Singapore Pte Ltd
50 Woodlands Industrial
Park E7
Singapore 757824
Phone: +65 6757 3113
Fax: +65 6757 3003
Email: enquiry@
tractelsingapore.com

UAE

**Tractel Secalt SA Dubai
Branch**
Office 1404, Prime Tower
Business Bay
PB 25768 Dubai, United Arab
Emirates
Phone: +971 4 343 0703
Email: tractel.me@tractel.com

INDIA

Secalt India Pvt Ltd.
412/A, 4th Floor, C-Wing, Kailash
Business Park, Veer Savarkar
Road, Parksite, Vikhroli West,
Mumbai 400079, India
Phone: +91 22 25175470/71/72
Email: info@secalt-india.com

TURKEY

**Knot Yapı ve İş Güvenliği San.
Tic. A.Ş.**
Cevizli Mh. Tugay Yolu CD.
Nuvo Dragos Sitesi
A/120 Kat.11 Maltepe
34846 Istanbul, Turkey
Phone: +90 216 377 13 13
Fax: +90 216 377 54 44
Email: info@knot.com.tr

ANY OTHER COUTRIES:

Tractel S.A.S.

RD 619 Saint-Hilaire-sous-
Romilly
BP 38 Romilly-sur-Seine
10102, France
Phone: +33 3 25 21 07 00
Email: info.tsas@tractel.com

